



第6代金刚瓷卫浴产品
ONE-PIECE SOLID BASIN

SGS



TEST REPORT

检测报告

以严苛标准的打造优质产品
Premium Art with Quality Assurance

食品级原材料
FOOD GRADE RAW MATERIALS

IAPMO RESEARCH AND TESTING, INC.

5001 E. Philadelphia Street, Ontario, CA 91761 • Phone (909) 472-4100 • Fax (909) 472-4244 • www.iapmort.org



CERTIFICATE OF LISTING



IAPMO Research and Testing, Inc. is a product certification body in which its product certification system includes inspection and testing of samples taken from the supplier's stock or from the market or a combination of both to verify compliance to the requirements of applicable codes and standards. This activity is coupled with periodic surveillance of the supplier's factory and/or warehouses as well as the assessment of the supplier's Quality Assurance System. This listing is subject to the conditions set forth in the characteristics below and is not to be construed as any recommendation, assurance or guarantee by IAPMO Research and Testing, Inc. of the product acceptance by Authorities Having Jurisdiction.

Product:
Lavatories (Plastic)

Products are in compliance with the following code(s):
**Uniform Plumbing Code (UPC®)
National Plumbing Code of Canada**

Products are certified to the following standard(s):
CSA B45.5-22/IAPMO Z124-2022

File Number: 14388

Effective Date: July 2023

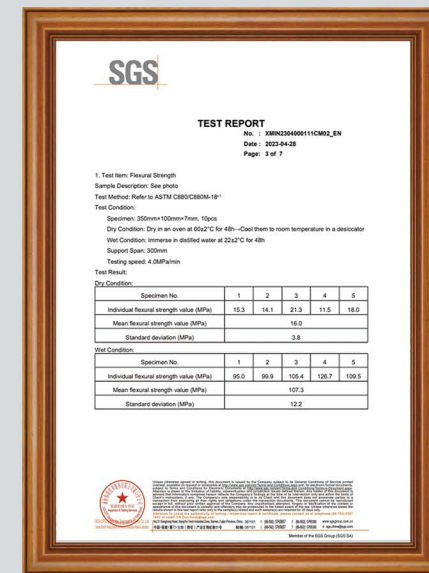
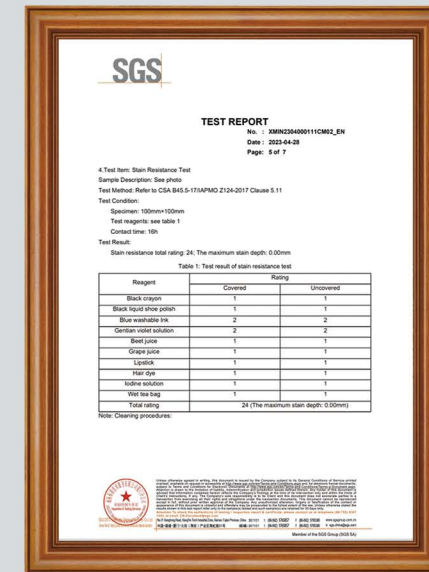
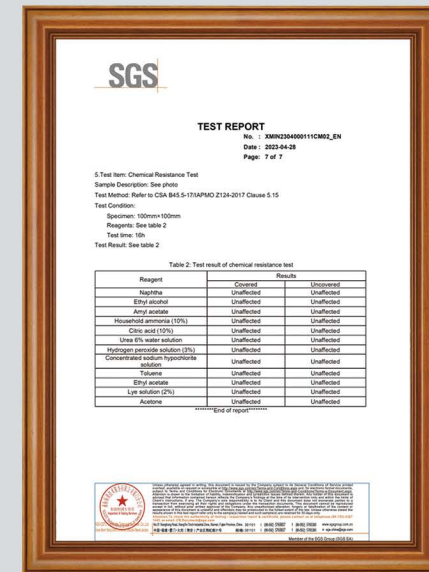
Void After: July 2028*

Tom Collins
Chairman, Product Certification Committee



SP/IL
Chief Technical Service Officer

*This certificate is not evidence of current listing. To verify listing status, visit the IAPMO R&T Product Listing Directory at pdl.iapmo.org. This listing period is based upon the last date of the month indicated on the Effective Date and Void After Date shown above. Any change in material, manufacturing process, marking or design without having first obtained the approval of the Product Certification Committee, or any evidence of non-compliance with applicable codes and standards or of inferior workmanship, may be deemed sufficient cause for revocation of this listing. Production of or reference to this form for advertising purposes may be made only by specific written permission of IAPMO Research and Testing, Inc. Any alteration of this certificate could be grounds for revocation of the listing. This document shall be reproduced in its entirety.



UV STABLE
Color unaffected by sunlight

SCRATCH RESISTANT
High resistance against scratching

CHEMICAL RESISTANT
Unaffected by alkaline or acidic Products

EASY TO CLEAN
Non porous and stain resistant.

FROST RESISTANT
Resistant to low temperatures

HEAT RESISTANT
Resistant to high temperatures

GREEN
Not printed and 100% natural

HYGIENIC
Inhospitable to fungi and bacteria.



STANDARD STYLE | SQUARED EDGE
标准款.直角

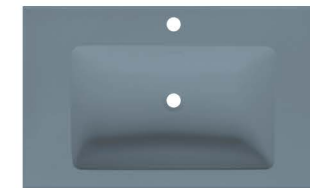
天鹅白
1002S



浅灰
1006S



烟灰
1019S



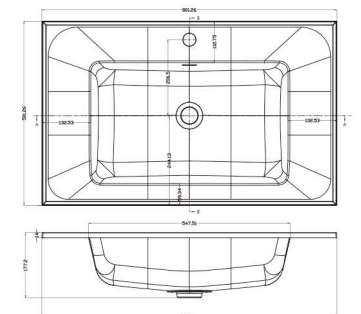
藕粉
1005S



产品信息

INFORMATION

主体材质： 金刚瓷
 表面处理： 亮光面 / 哑光面，可定制
 盆外观尺寸： 800x500x189mm
 盆内尺寸： 500x300x138mm
 安装方式： 台上安装，一体嵌入
 下水孔径： 内径 \varnothing 44.5mm 外径 \varnothing 68mm



青灰色台盆与柜体浑然一体
化繁为简 拒绝浮华

柔和肤感台面与柜体完美融合，
瞬间提升格调，
给人视觉上的“静”与“净”。





以设计优雅生活
聚焦质感之美

柜身润角处理
圆润柔和避免磕碰
再也不担心会磕碰啦

STANDARD STYLE | ROUND EDGE 标准款·圆角

天鹅白
1002S



卡其灰
1001S



烟灰
1019S



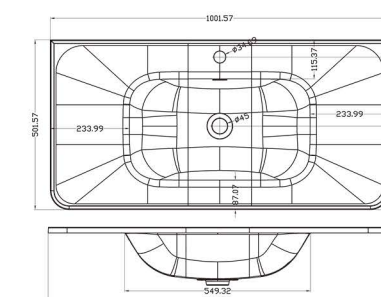
浅灰
1006S

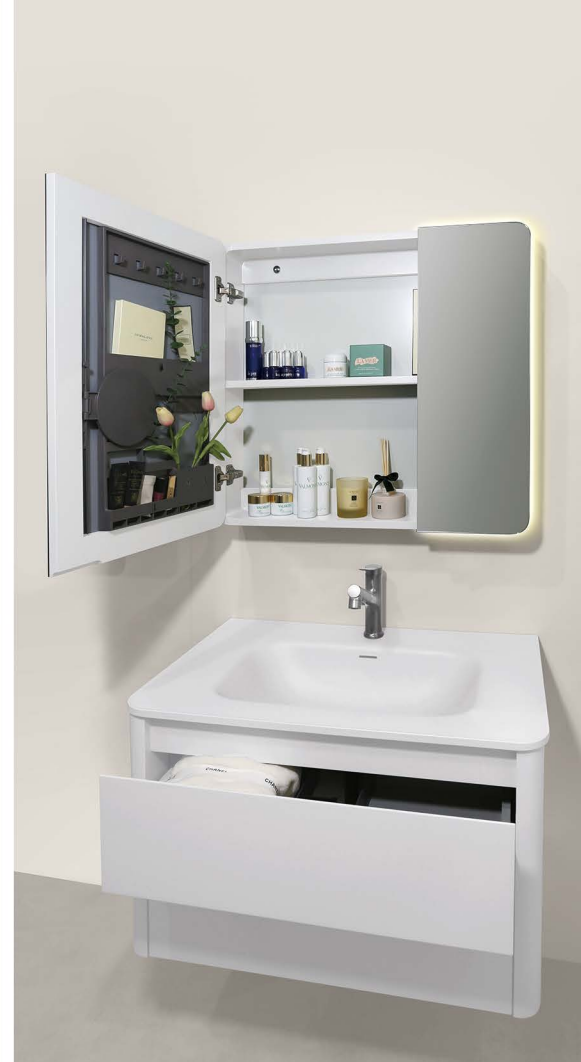


产品信息

INFORMATION

主体材质：金刚瓷
表面处理：亮光面 / 哑光面，可定制
盆外观尺寸：1000x500x189cm
盆内尺寸：535x330x145cm
安装方式：台上安装，一体嵌入
下水孔径：内径 \varnothing 44.5mm 外径 \varnothing 68mm



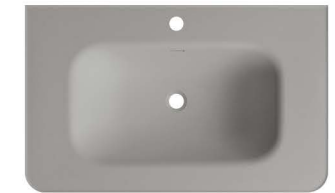


STANDARD STYLE | ROUND EDGE
标准款·圆角

天鹅白
1002S



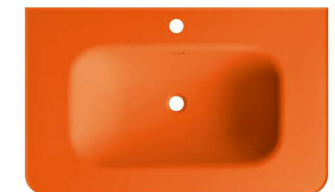
浅灰
1006S



烟灰
1019S



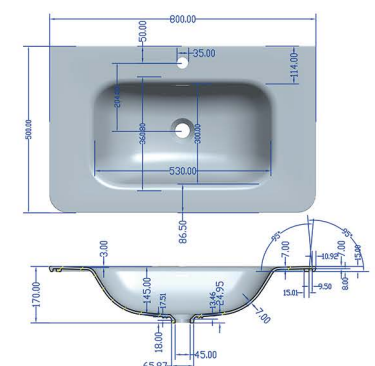
橙红
1008S



产品信息

INFORMATION

主体材质： 金刚瓷
 表面处理： 亮光面 / 哑光面，可定制
 盆外观尺寸： 800x500x189mm
 盆内尺寸： 500x300x138mm
 安装方式： 台上安装，一体嵌入
 下水孔径： 内径 \varnothing 44.5mm 外径 \varnothing 68mm

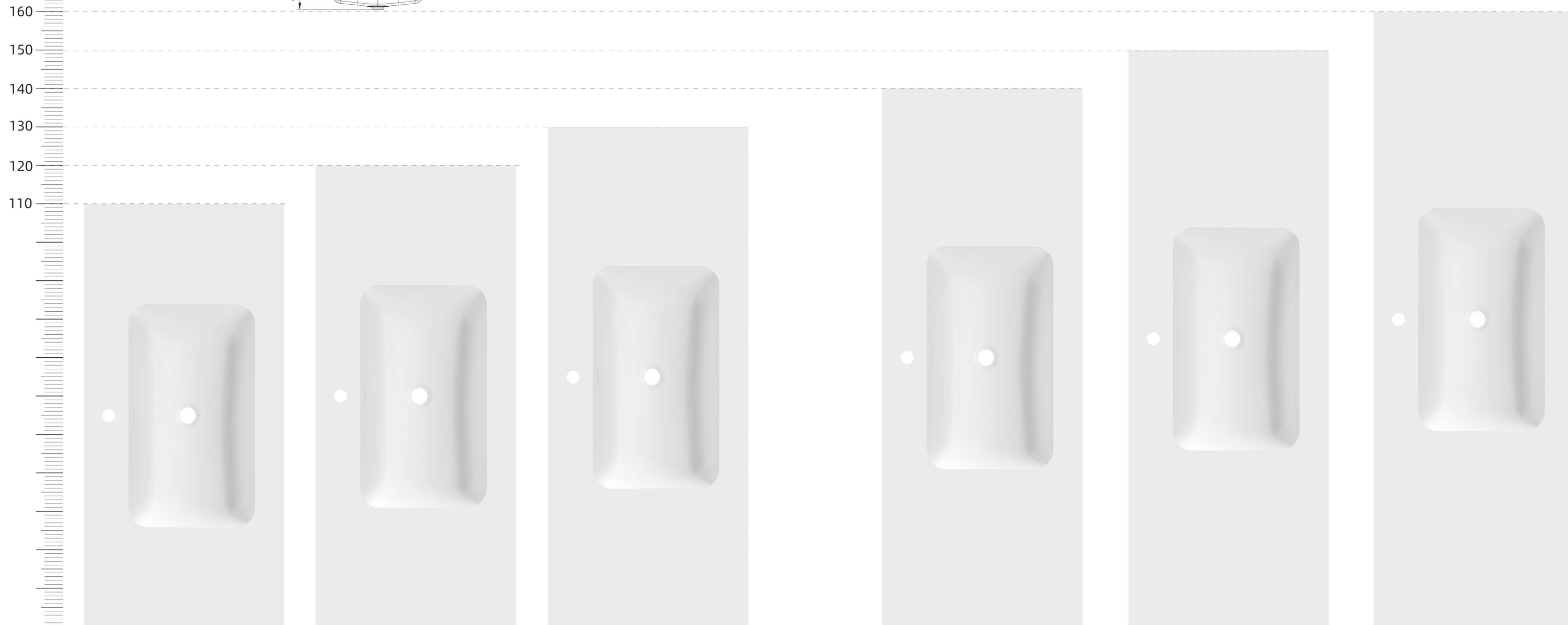
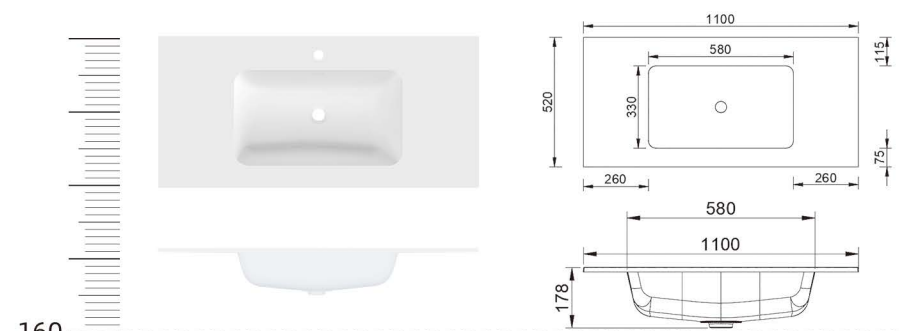


美学与舒适兼得
金刚瓷台盆

防渗抗污 防刮耐磨
清洁垂手可得 持久光亮如新

SQUARED EDGE A

直角款 A



110x52 cm

120x52 cm

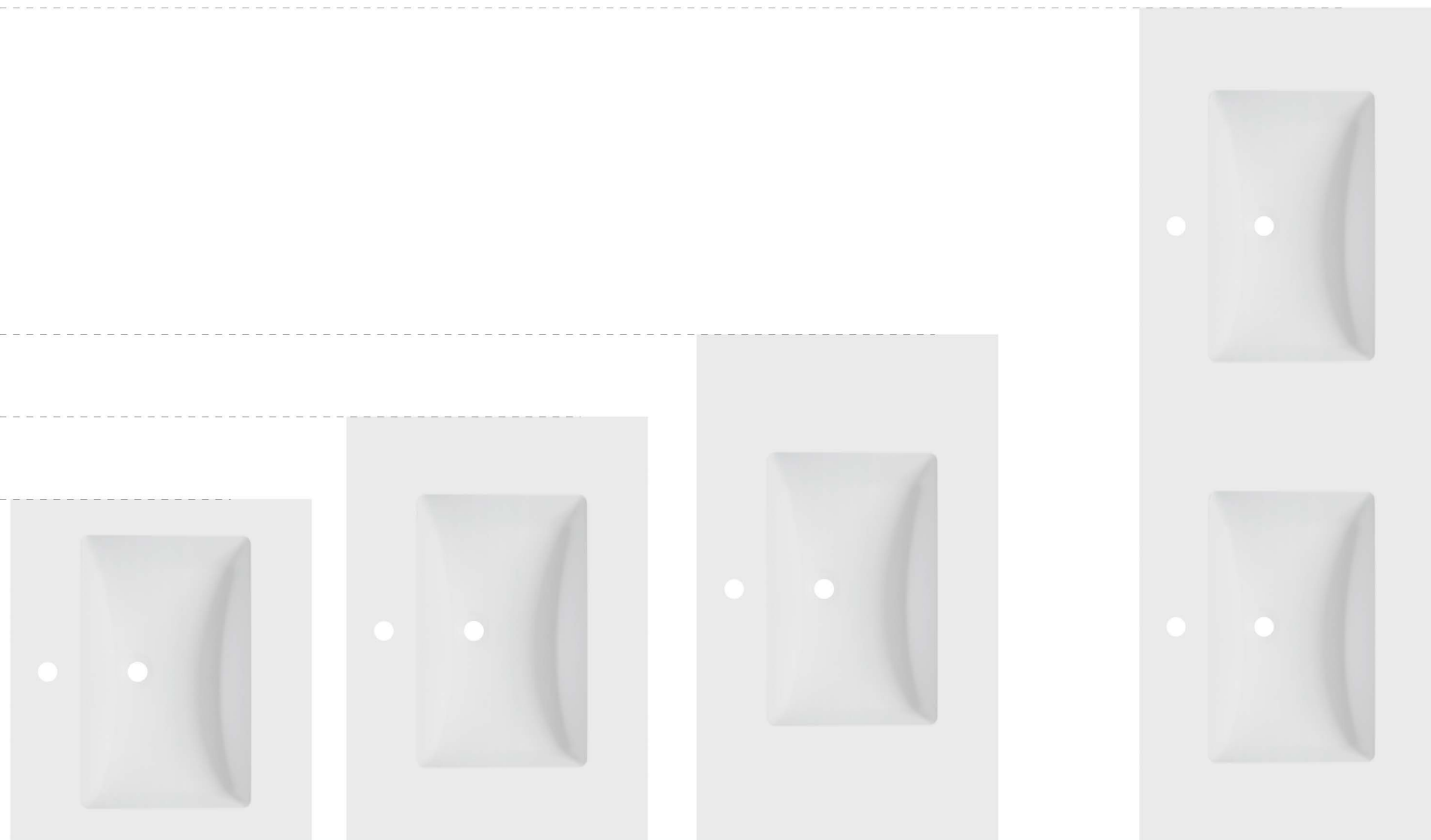
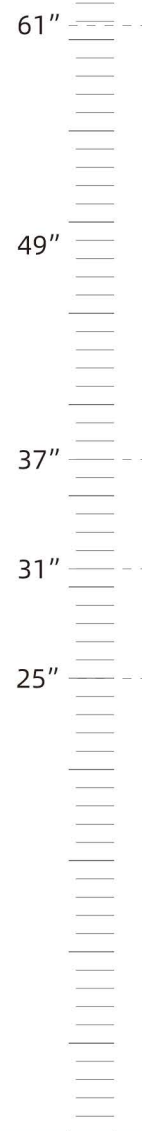
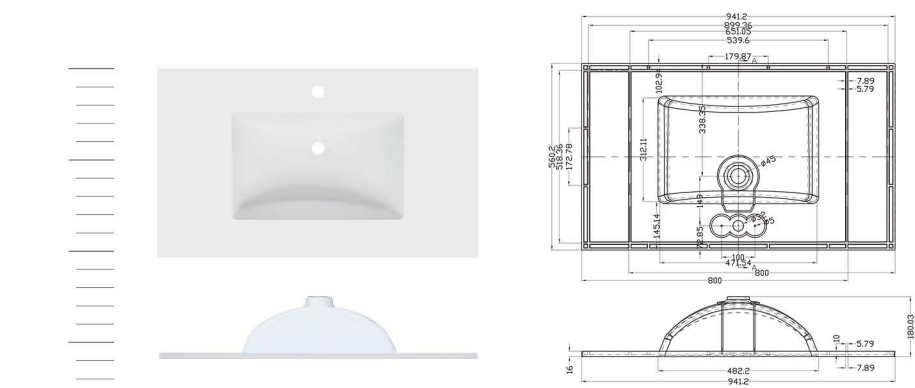
130x52 cm

140x52 cm

150x52 cm

160x52 cm

SQUARED EDGE B
直角款 B



25" X 22"

31" X 22"

37" X 22"

61" X 22" Double

SQUARED EDGE C
直角款 C



60x47 cm

70x47 cm

75x47 cm

80x47 cm

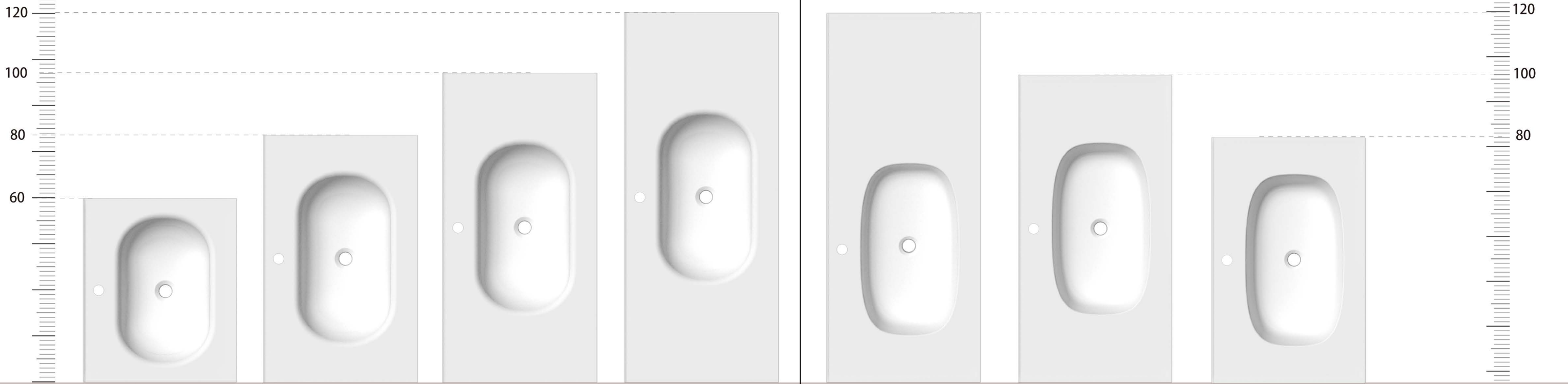
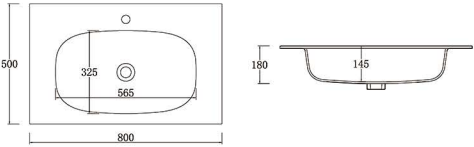
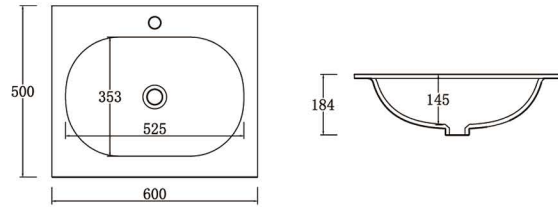
90x47 cm

100x47 cm

110x47 cm

120x47 cm

SQUARED EDGE D
直角款 D



60x50 cm

80x50 cm

100x50cm

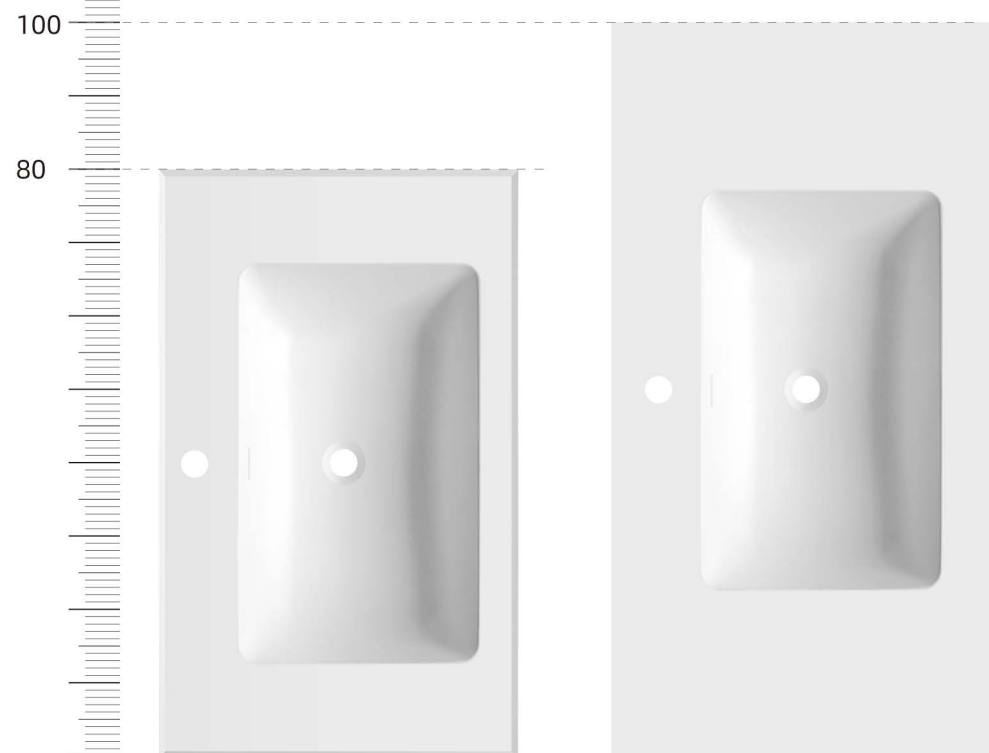
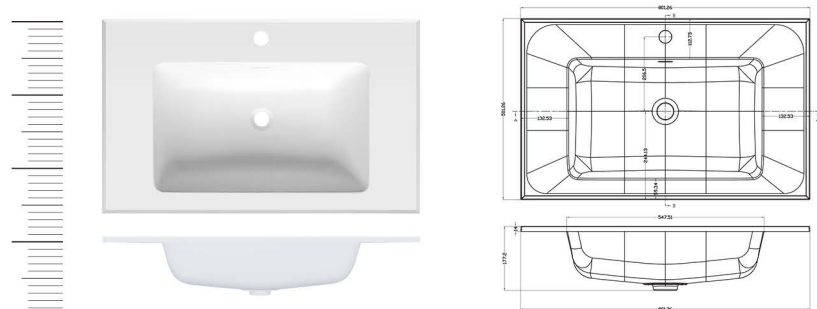
120x50 cm

120x50cm

100x50 cm

80x50 cm

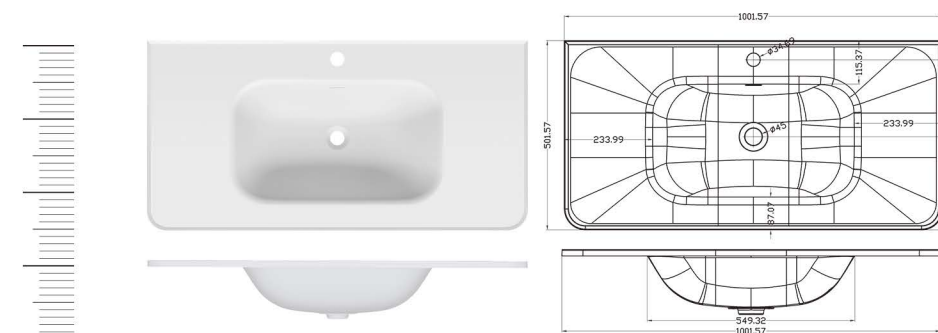
STANDARD STYLE | SQUARED EDGE
标准款.直角



80x50 cm

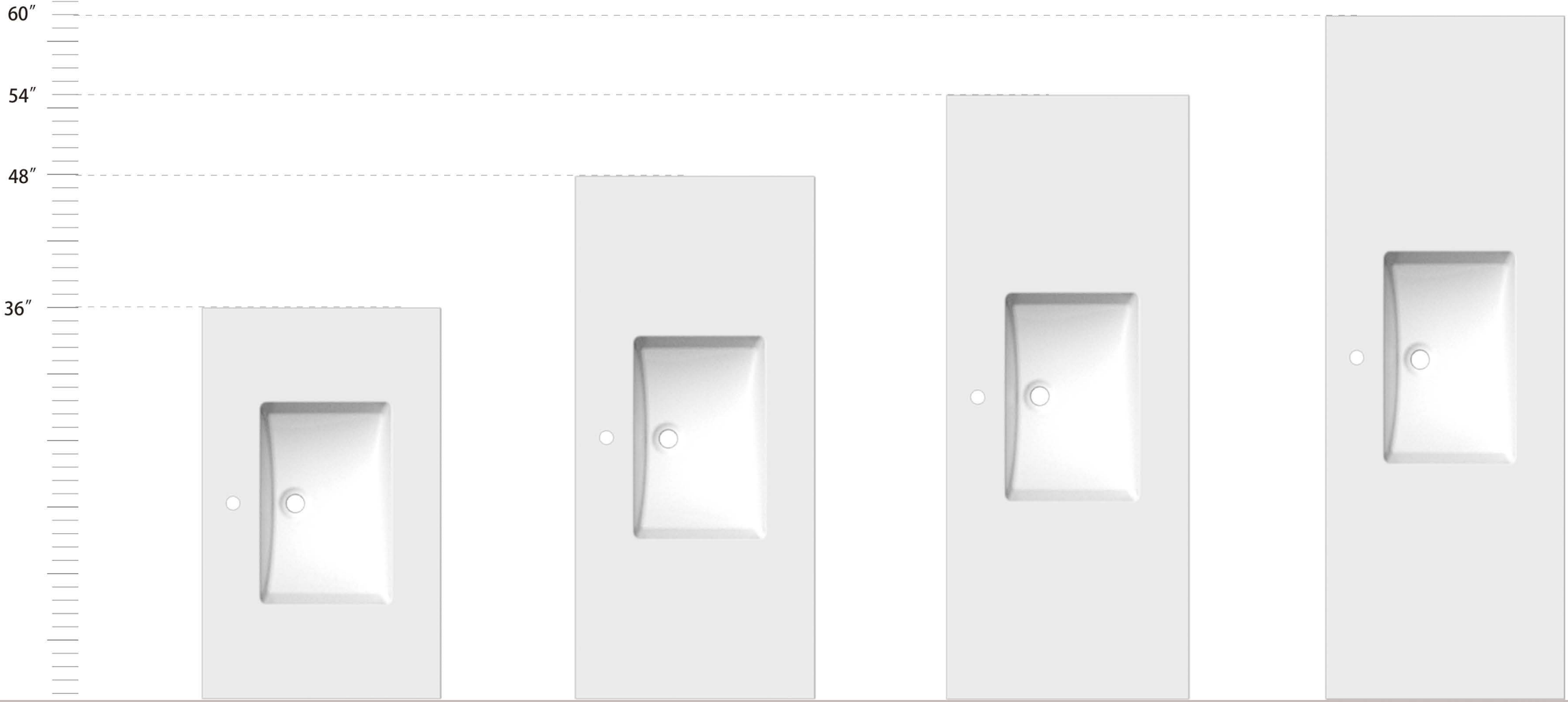
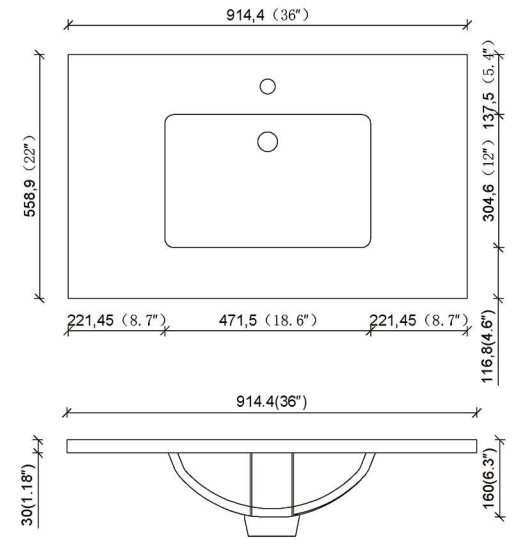
100x52 cm

STANDARD STYLE | ROUND ANGLE
标准款.圆角



80x50 cm

100x50 cm

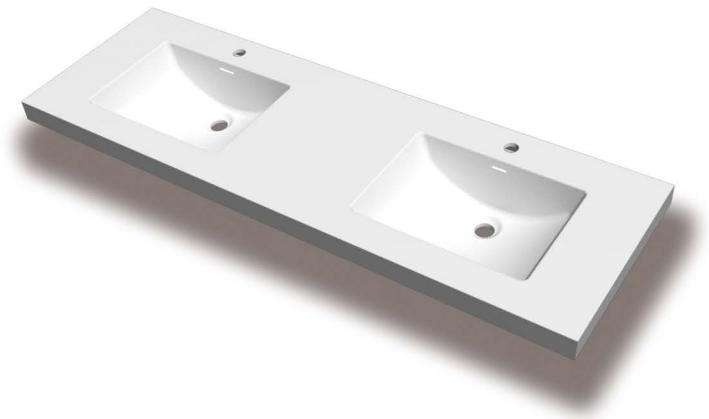
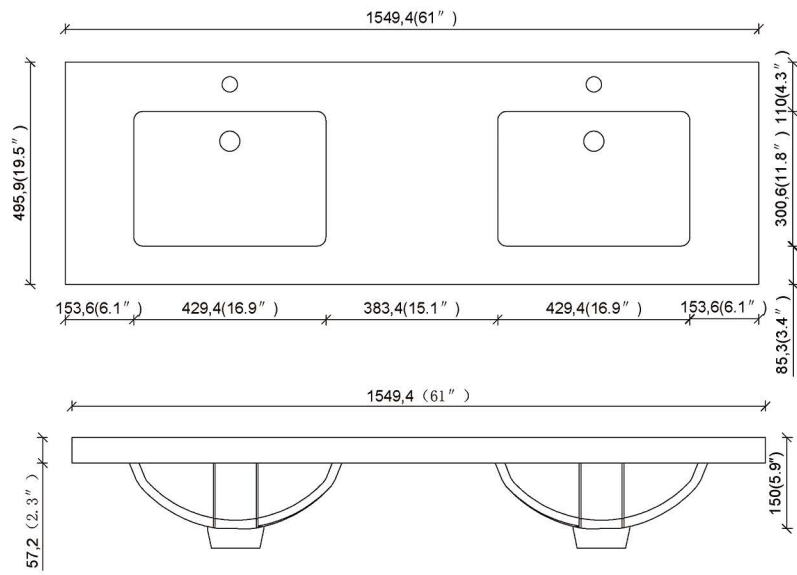
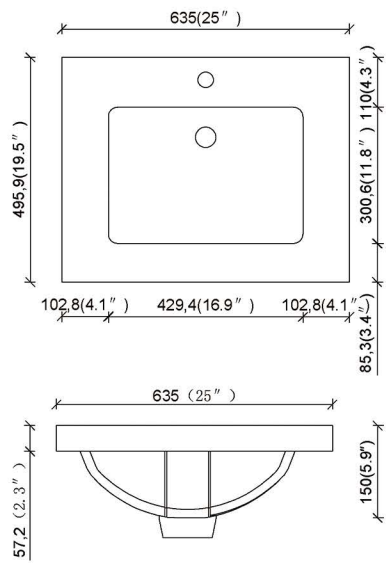


36" X 22"
(1.18" Thick)

48" X 22"
(1.18" Thick)

54" X 22"
(1.18" Thick)

60" X 22"
(1.18" Thick)



61"

55"

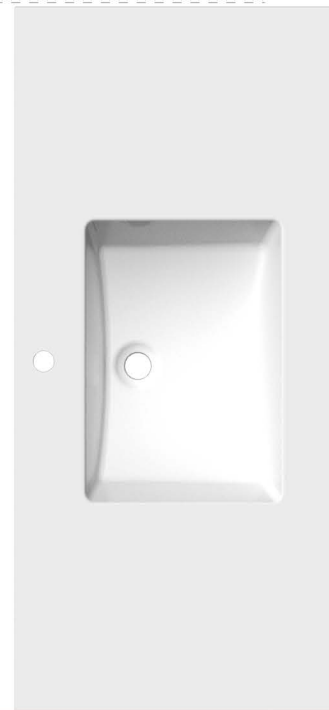
49"

43"

37"

31"

25"



25" X 19.5"
(2.3" Thick)

31" X 19.5"
(2.3" Thick)

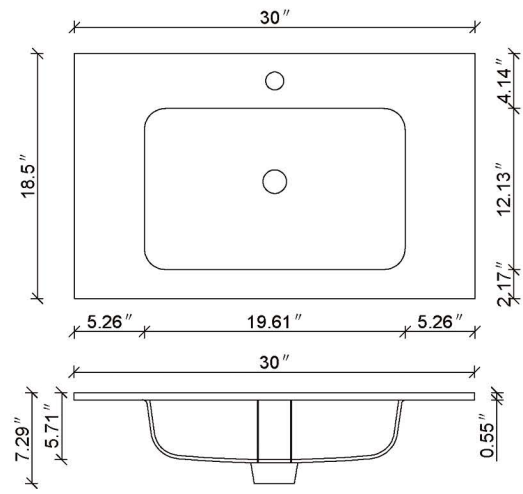
37" X 19.5"
(2.3" Thick)

43" X 19.5"
(2.3" Thick)

49" X 19.5"
(2.3" Thick)

55" X 19.5"
(2.3" Thick)

61" X 19.5"
(2.3" Thick)



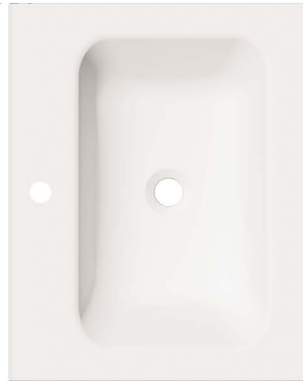
47.2"

42"

36"

30"

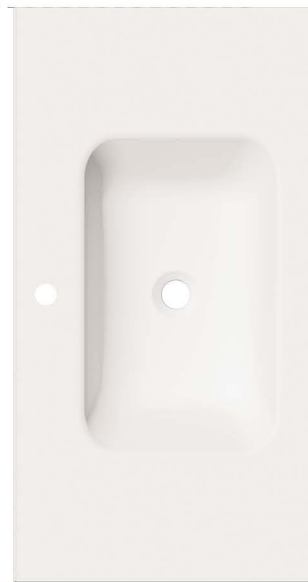
24"



24" X 18.5"



30" X 18.5"



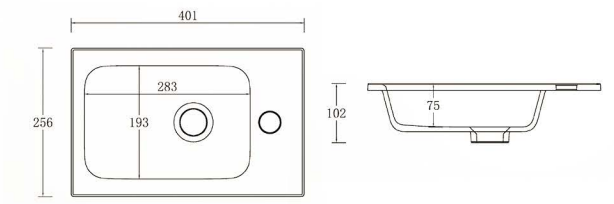
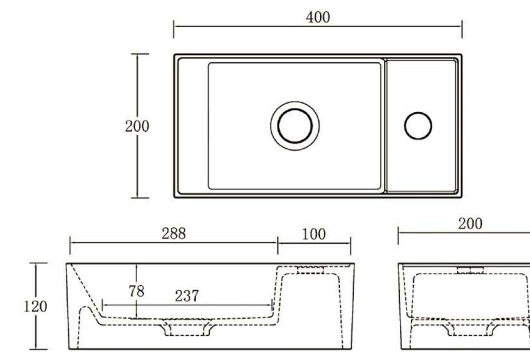
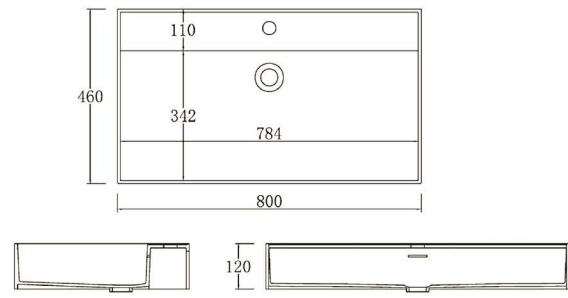
36" X 18.5"



42" X 18.5"



47.2" X 18.5"



80



80x46x12 cm

40



40x20cm



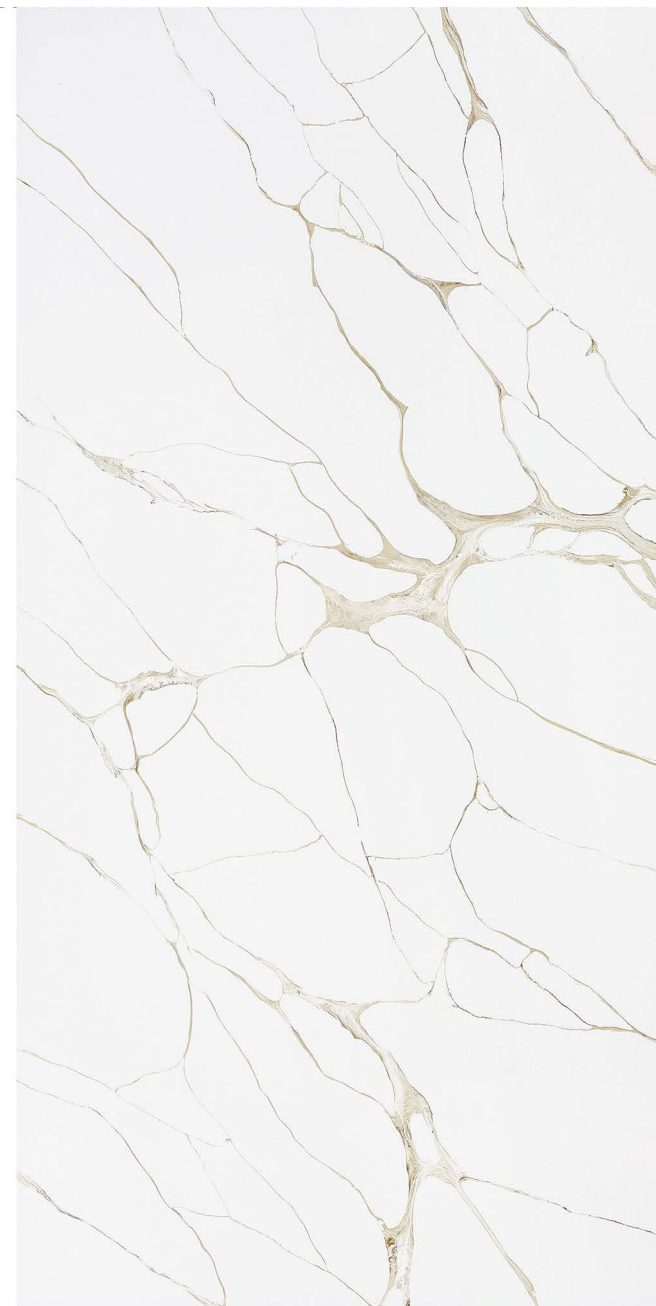
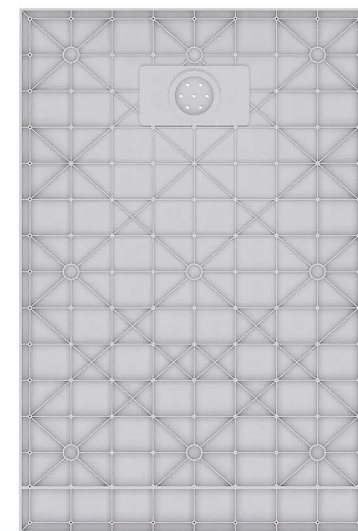
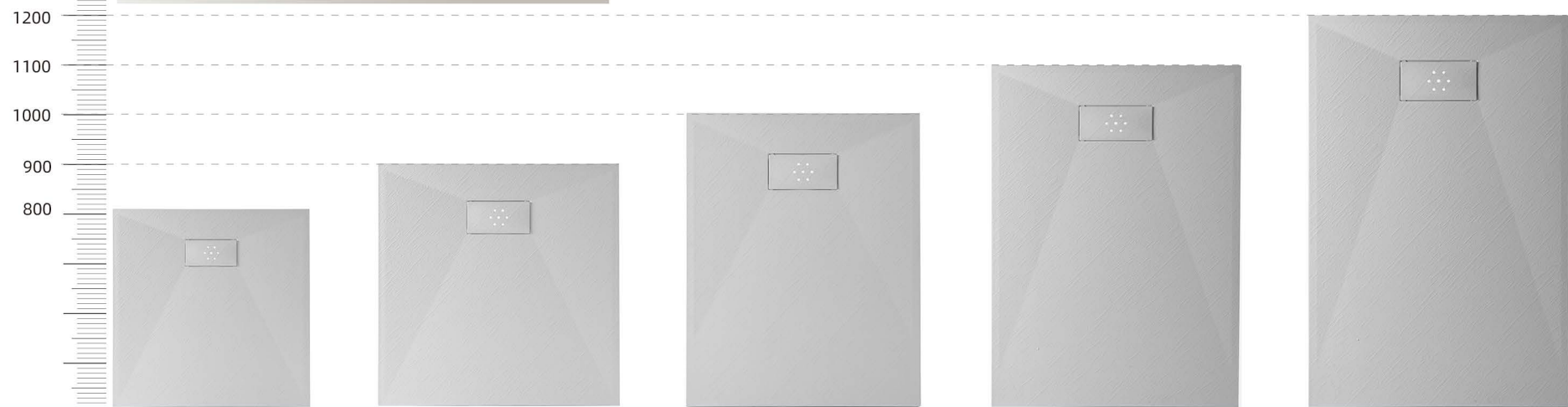
40x25.5cm

SHOWER PAN

淋浴底盘

SHOWER SURROUNDER

淋浴房墙板



800x800 mm

900x900 mm
900x800 mm

1000x800 mm
1000x700 mm

1100x900 mm
1100x700 mm

1200x900 mm
1200x800 mm
1200x700 mm

背面图
Bottom

淋浴房墙板
3000x1600 mm

花纹系列



巴西鱼肚白



镜湖春晓



宝格丽



鱼肚金



鱼肚白



芬迪白



卡拉拉白

COLOR DISPLAY

颜色展示



名称: 卡其灰
编号: 1001S



名称: 藕粉
编号: 1005S



名称: 淡绿
编号: 1009S



名称: 青金
编号: 1013S



名称: 淡紫
编号: 1017S



名称: 浅粉
编号: 1021S



名称: 天鹅白
编号: 1002S



名称: 浅灰
编号: 1006S



名称: 橄榄绿
编号: 1010S



名称: 湖蓝
编号: 1014S



名称: 珍珠白
编号: 1018S



名称: 浅咖
编号: 1022S



名称: 鹅黄
编号: 1003S



名称: 灰蓝
编号: 1007S



名称: 墨绿
编号: 1011S



名称: 咖啡
编号: 1015S



名称: 烟灰
编号: 1019S



名称: 深灰
编号: 1023S



名称: 青灰
编号: 1004S



名称: 橙红
编号: 1008S



名称: 铜红
编号: 1012S



名称: 宝石蓝
编号: 1016S



名称: 紫罗兰
编号: 1020S



名称: 墨黑
编号: 1024S