

\* 本目录各项产品颜色因印刷及摄影之故，与实物可能有所差异，请事先了解。

本目录所有产品，以实物为准，如有改动，恕不另行通知。

本目录版权所有，翻版必究。

Please be aware that all colors of the articles listed herein in the catalogue may differ from that of the real objects due to photography and printing process.

All articles listed in the catalogue are subject to the real objects, should any change, correction and alteration on them be occurred, please be noted that it should not be our obligation to inform you of it.

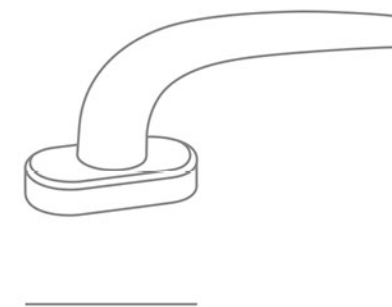
All rights reserved, no copy allowed.

# FOCUSING DOORS & WINDOWS

Curtain Walls Hardware Systems

专 注 门 窗 幕 墙 五 金 系 统

精工智造 · 连接未来



## 立兴(杨氏)有限公司

LIP HING (YEUNG'S) COMPANY LIMITED

香港新界葵涌工业街17-21号美安工业大厦地下B室  
Unit, G/F., Mai On Industrial Building, 17-21 Kung Yip  
Street, Kwai Chung, N.T.

电话/Tel.: (852) 2421 2288, 2423 8620 & 2421 2490

传真/Fax.: (852) 2489 2766

Whatsapp: 6016 3865 (只限收发讯息 Messages Only)

电邮/Email: main@liphingyeungs.com.hk

## 立兴杨氏实业(深圳)有限公司

LIP HING YEUNG'S INDUSTRIES (SHENZHEN) CO LTD

深圳市光明新区玉塘街道田寮社区田益一街12号  
No.10, Tianyi First Rd, Tianliao Community,  
Yutang Street, New Guangming District,  
Shenzhen, Guangdong, China

电话/Tel.: (0755) 2719 0350, 2719 8309

传真/Fax.: (0755) 2719 8308

电邮/Email: liphing@vip.163.com



Facebook



Instagram



Youtube



公众号



PRODUCT CATALOG · 产品目录

# BRAND IDEA

## 品牌理念



设计研发



匠心制造



现代化生产基地

## 核心业务与产品

Core Busines & Products

### 门窗五金系统

Door and Window Hardware System

**全场景解决方案:** 涵盖平开窗、推拉窗、内倒窗、折叠门等全系列五金配件, 适配住宅、商业及超高层建筑需求。

**智能升级:** 集成电动开闭、风雨感应、安全防坠等智能化功能, 引领门窗行业技术革新。

**Full-scenario solution:** Covering a full range of hardware accessories including casement windows, sliding windows, tilting windows, folding doors etc., suitable for residential, commercial and super high-rise building needs.

**Intelligent Upgrade:** Integrates intelligent functions such as electric opening and closing, wind and rain sensing, and safety protection, leading the technological innovation in the door and window industry.

### 幕墙专用配件

Special hardware for curtain wall

**高性能连接件:** 幕墙铰链、抗震支座等, 满足玻璃、金属、石材幕墙多样化安装需求。

**定制化服务:** 支持非标件设计与快速打样, 助力复杂建筑造型实现。

**High-performance connectors:** curtain wall hinges, seismic supports, etc., to meet the diverse installation needs of glass, metal, and stone curtain walls.

**Customized service:** Supports non-standard parts design and rapid proofing, helping to realize complex architectural design.

### 绿色节能产品

Green and energy-saving products

**隔热断桥五金系统、气密性提升组件,** 助力建筑达到LEED、BREEAM等国际绿色认证标准。

Thermal insulation hardware systems and airtightness enhancement components help buildings meet international green certification standards such as LEED and BREEAM.

## ABOUT US

### 关于我们

立兴杨氏实业(深圳)有限公司隶属于立兴杨氏集团, 扎根中国改革开放前沿深圳, 是一家集研发、生产、销售与服务于一体的高新技术企业。公司深耕建筑五金领域始于上世纪1954年, 专注于高端门窗五金系统、玻璃幕墙连接件及配件的研发制造, 为全球建筑幕墙工程、门窗企业及地产项目提供安全、耐久、创新的五金系统解决方案。

秉承“\*\*匠心铸品质, 科技塑未来\*\*”的核心价值观, 我们通过持续技术创新与严苛品质管控, 服务全球多个国家和地区, 赋能现代建筑美学与功能性的完美融合。

LIP HING YEUNG'S INDUSTRIES (SHENZHEN) CO LTD is a subsidiary of Liping Yeung's Group, rooted in the forefront of China's reform and opening up in Shenzhen. It is a high-tech enterprise that integrates research and development, production, sales, and service. The company has been deeply involved in the field of door & window, curtain wall hardware since 1954, focusing on the research and development of high-end door and window hardware systems, curtain wall accessories, and intelligent building external maintenance accessories. It provides safe, durable, and innovative hardware system solutions for global building curtain wall engineering, door and window enterprises, and real estate projects.

Adhering to the core values of "Craftsmanship casting quality, technology shaping the future", we serve many countries and regions worldwide through continuous technological innovation and strict quality control, empowering the perfect integration of modern architectural aesthetics and functionality.

# AUTHENTICATION CERTIFICATE

## 认证证书



# ADVANTAGES

## 我们的优势



### 技术引领 Technology Leading

拥有省级工程技术研发中心，累计获得50+项国家专利，参与制定多项行业标准，与香港及内地多所大学共建产学研交流沙龙。

It has a provincial engineering technology R&D center, has obtained more than 60+ national patents and product certifications, participated in the formulation of many industry standards, and co-established industry-university-research exchange salons with many universities in Hong Kong and the Mainland.

### 品质标杆 Quality benchmark

通过ISO 9001质量管理体系、ISO 14001环境管理体系认证，产品符合EN、ASTM、GB等国际标准，盐雾测试超5000小时，保障超长使用寿命。

Passed ISO 9001 quality management system and ISO 14001 environmental management system certification, the products comply with international standards such as EN, ASTM, GB, etc., and the salt spray test exceeds 5000 hours to ensure an ultra-long service life.

### 全球交付 Worldwide delivery

依托深圳总部与立兴杨氏集团香港、东南亚分支机构，构建高效供应链网络，支持72小时样品交付、15天批量订单响应。

Relying on the Shenzhen & Heyuan Producing Base and the Hong Kong and Southeast Asian branches of Liping Yeung's Group, we have built an efficient supply chain network to support 72-hour sample delivery and 15-day bulk order response.

### 服务赋能 Service Empowerment

提供从选型设计、技术指导到现场安装的全周期服务，与客户共建“零缺陷”工程。

We provide full-cycle services from model selection and design, technical guidance to on-site installation, and build "zero defect" projects with our customers.

## 行业应用 Industry Application

地标建筑：超高层写字楼、机场航站楼、文化场馆

绿色人居：高端住宅、星级酒店、低碳社区

城市更新：旧改项目、历史建筑修缮

Landmark buildings: super high-rise office buildings, airport terminals, cultural venues

Green Living: high-end residences, star-rated hotels, low-carbon communities

Urban renewal: old town renovation projects, historical building restoration

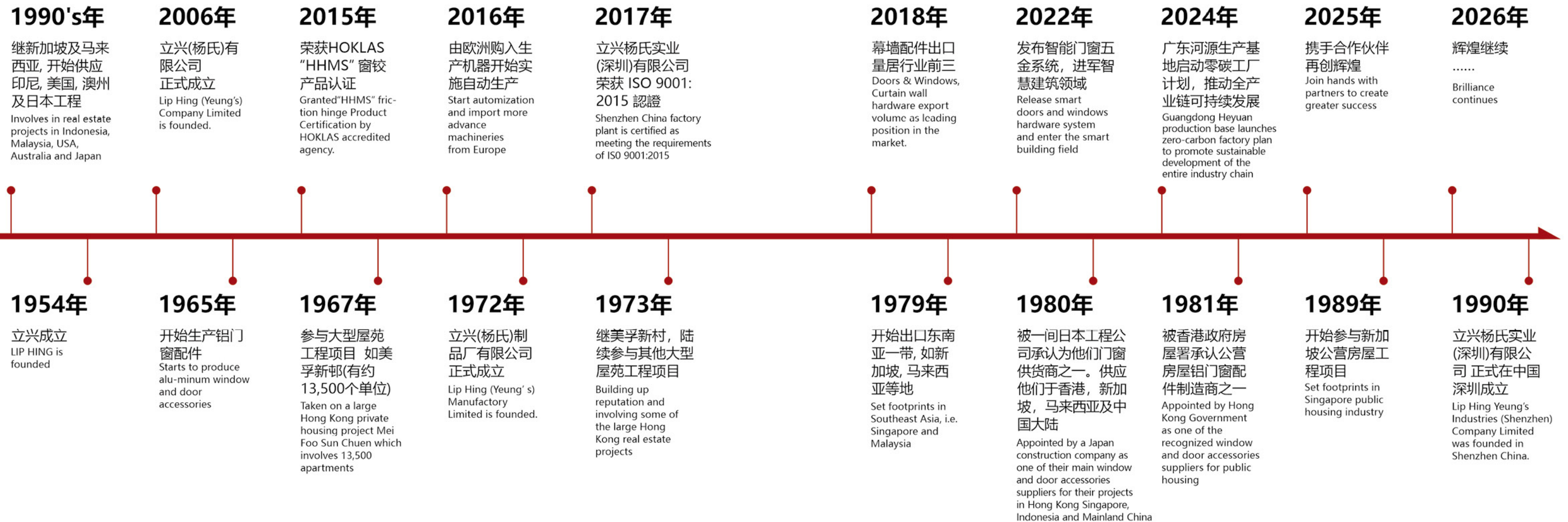
## 合作理念 Cooperation Philosophy

我们深信：每一件五金配件，都是建筑的无声守护者

We firmly believe that: Every piece of hardware is the silent guardian of the building

# DEVELOPMENT HISTORY

## 发展历程





# OUR VALUES

我们的价值观

# PRODUCT CATALOG

>>> 产品目录

ALWAYS GUIDED BY  
CUSTOMER VALUE  
始终以客户价值为导向

## 致力于 >>>

为门窗企业提供**\*\*降本增效\*\***的标准化解决方案  
为工程方打造**\*\*安全可靠\*\***的技术保障体系  
与合作伙伴共创**\*\*低碳、智能、人性化\*\***的建筑未来

Provide standardized solutions for cost reduction and efficiency improvement for door and window enterprises  
Build a safe and reliable technical support system for the engineering team  
Collaborate with partners to create a low-carbon, intelligent, and humanized future for architecture

执手系列	Lever handle series
把手系列	Handle series
七字执手	Cam handle series
拉手系列	Dual lock and Other Accessories
锁扣/锁点	Lock Keeper/Locker pin
合页系列	Stainless Steel Friction Hinge series
轮子系列	Rollar series
方轴多点锁执手系列	Square Spindle Multi-Point Lock Handle Series
锁盒系列	Gear box series
趟门辘系列	Sliding door rollar series

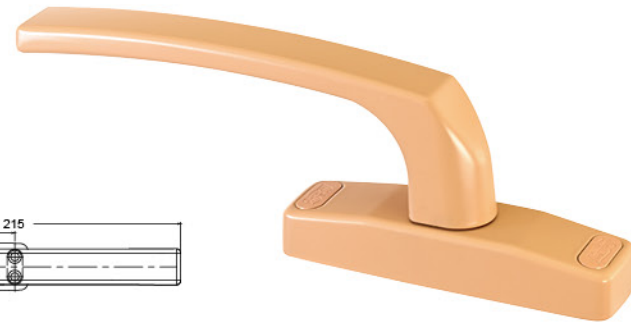
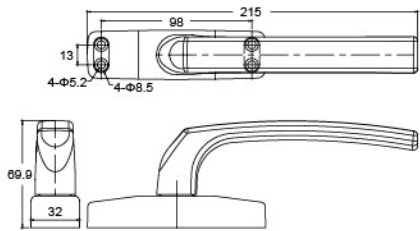
MODEL  
**MFRTHLN**

多点手执手

- 材质：锌合金
- 表面处理：按客户要求

Multiple Handheld Hands

- Material: Zinc alloy
- Surface treatment: Customize



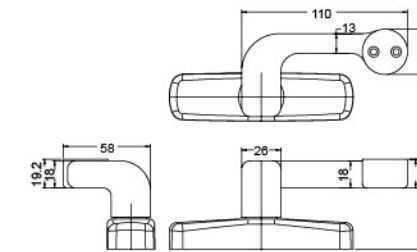
MODEL  
**MHPKH-L**

多点手执手

- 材质：锌合金
- 表面处理：按客户要求

Multiple Handheld Hands

- Material: Zinc alloy
- Surface treatment: Customize



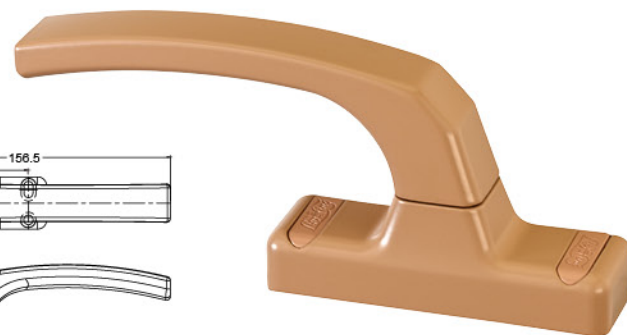
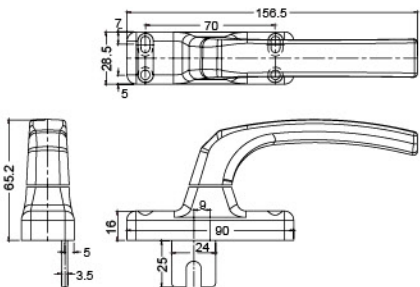
MODEL  
**MRLRT**

多点手执手

- 材质：锌合金
- 表面处理：按客户要求

Multiple Handheld Hands

- Material: Zinc alloy
- Surface treatment: Customize



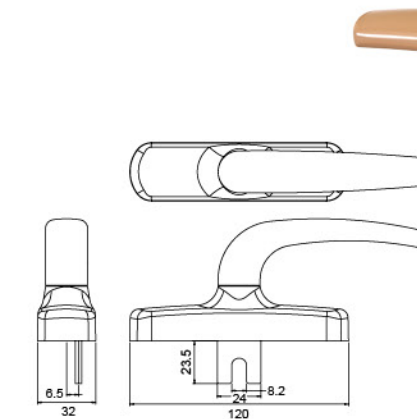
MODEL  
**MPTTB**

多点手执手

- 材质：锌合金
- 表面处理：按客户要求

Multiple Handheld Hands

- Material: Zinc alloy
- Surface treatment: Customize



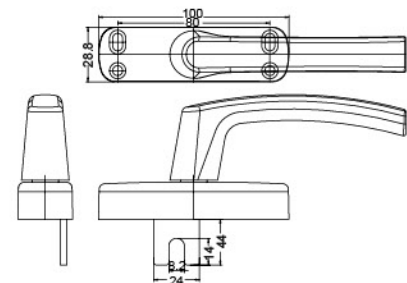
MODEL  
**MRHLC**

多点手执手

- 材质：锌合金
- 表面处理：按客户要求

Multiple Handheld Hands

- Material: Zinc alloy
- Surface treatment: Customize



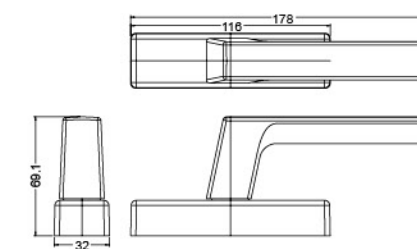
MODEL  
**MPFR**

多点手执手

- 材质：锌合金
- 表面处理：按客户要求

Multiple Handheld Hands

- Material: Zinc alloy
- Surface treatment: Customize



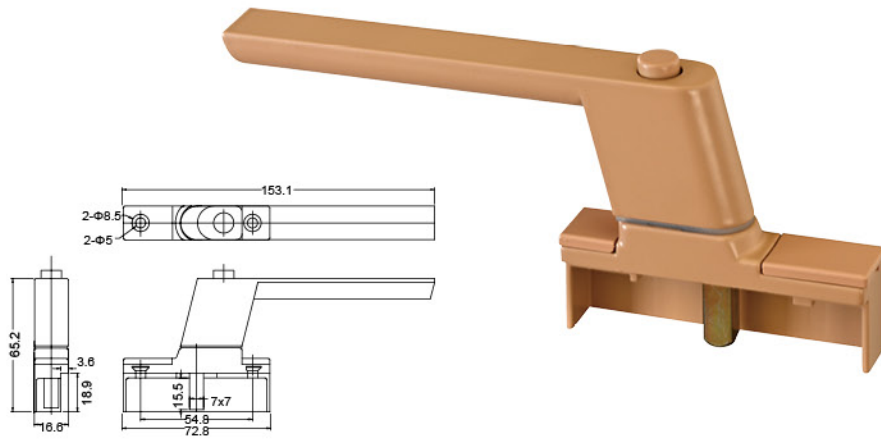
**MODEL**  
**MLDP-R**

**多点手执手**

- 材质：锌合金
- 表面处理：按客户要求

**Multiple Handheld Hands**

- Material: Zinc alloy
- Surface treatment: Customize



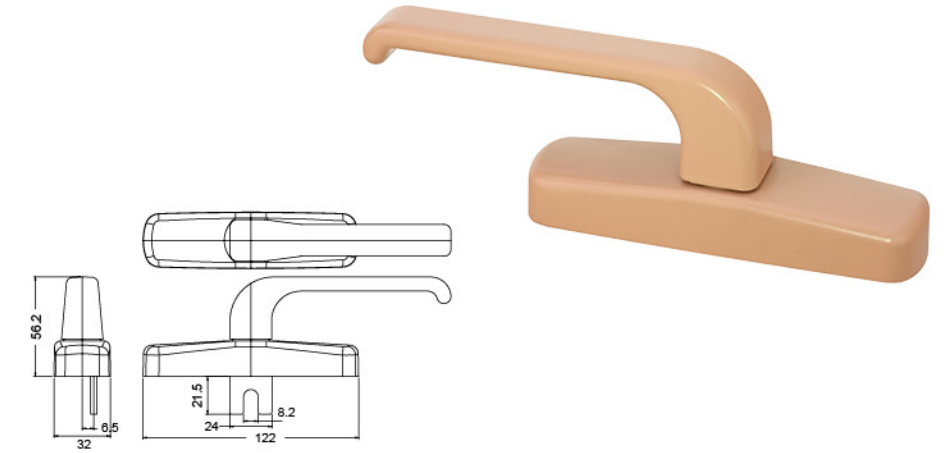
**MODEL**  
**MPLS-KH**

**多点手执手**

- 材质：锌合金
- 表面处理：按客户要求

**Multiple Handheld Hands**

- Material: Zinc alloy
- Surface treatment: Customize



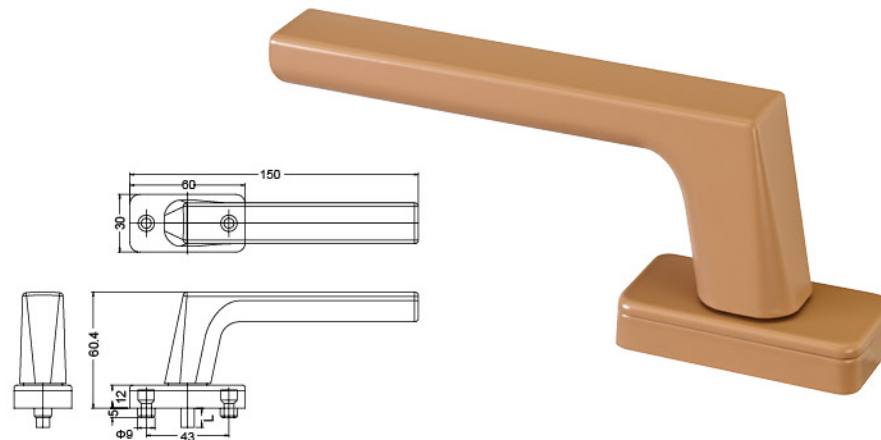
**MODEL**  
**HFRS**

**多点手执手**

- 材质：锌合金
- 表面处理：按客户要求

**Multiple Handheld Hands**

- Material: Zinc alloy
- Surface treatment: Customize



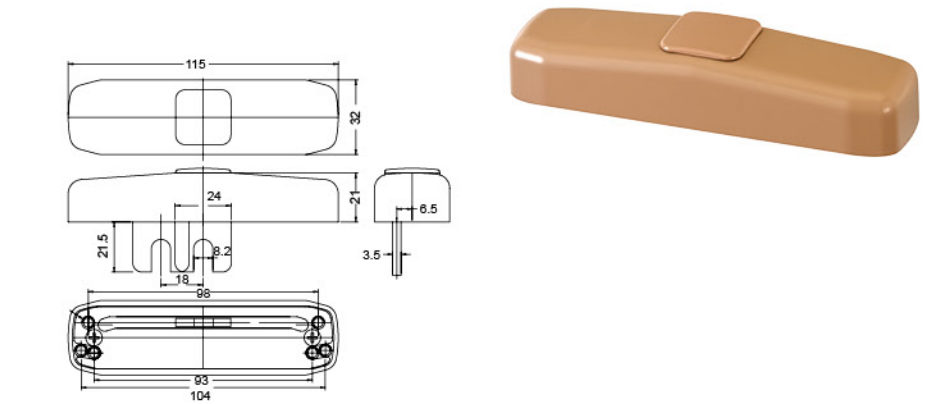
**MODEL**  
**MPLRAS**

**多点手执手**

- 材质：锌合金
- 表面处理：按客户要求

**Multiple Handheld Hands**

- Material: Zinc alloy
- Surface treatment: Customize



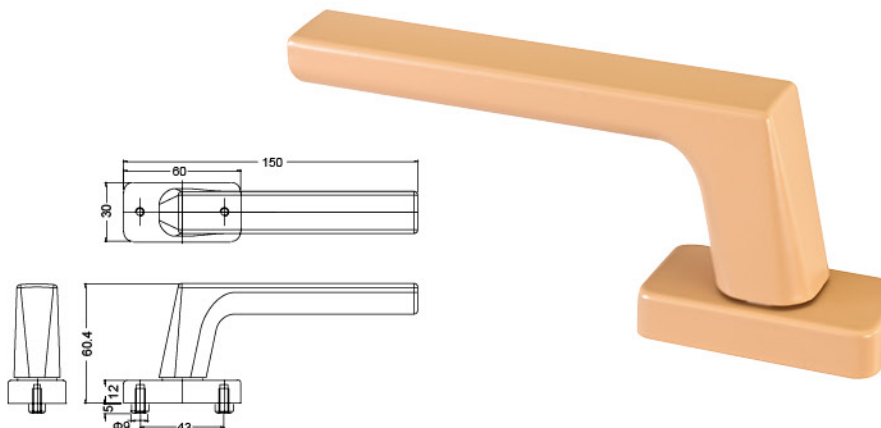
**MODEL**  
**HFRE**

**多点手执手**

- 材质：锌合金
- 表面处理：按客户要求

**Multiple Handheld Hands**

- Material: Zinc alloy
- Surface treatment: Customize



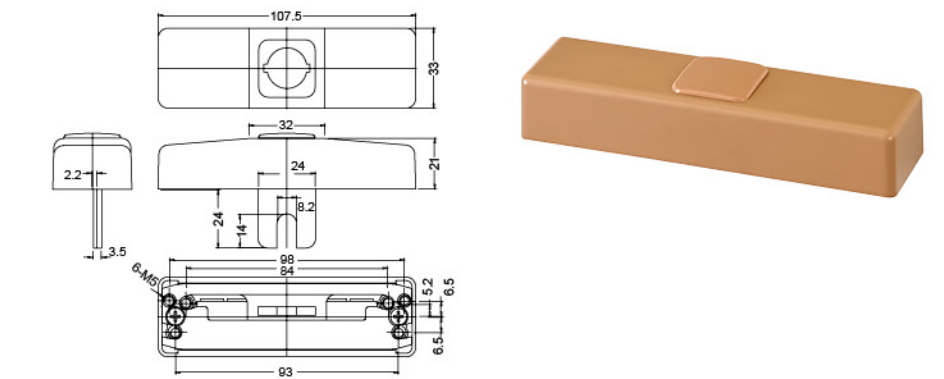
**MODEL**  
**MRFRM**

**多点手执手**

- 材质：锌合金
- 表面处理：按客户要求

**Multiple Handheld Hands**

- Material: Zinc alloy
- Surface treatment: Customize



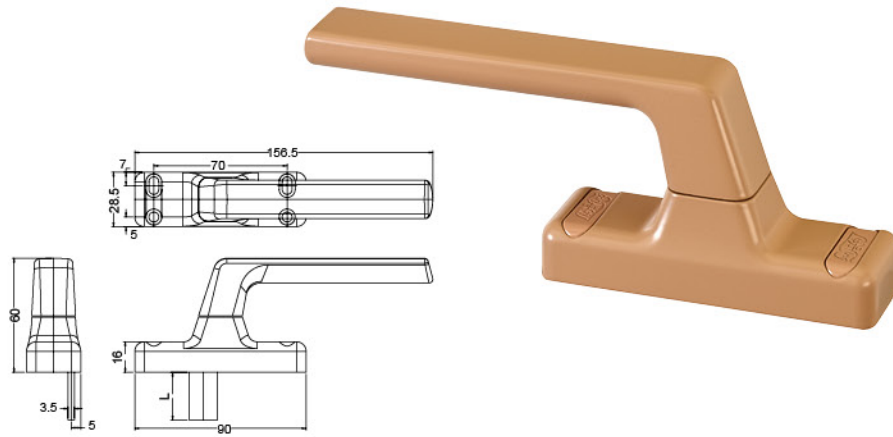
**MODEL**  
**MRLHT**

**多点手执手**

- 材质：锌合金
- 表面处理：按客户要求

**Multiple Handheld Hands**

- Material: Zinc alloy
- Surface treatment: Customize



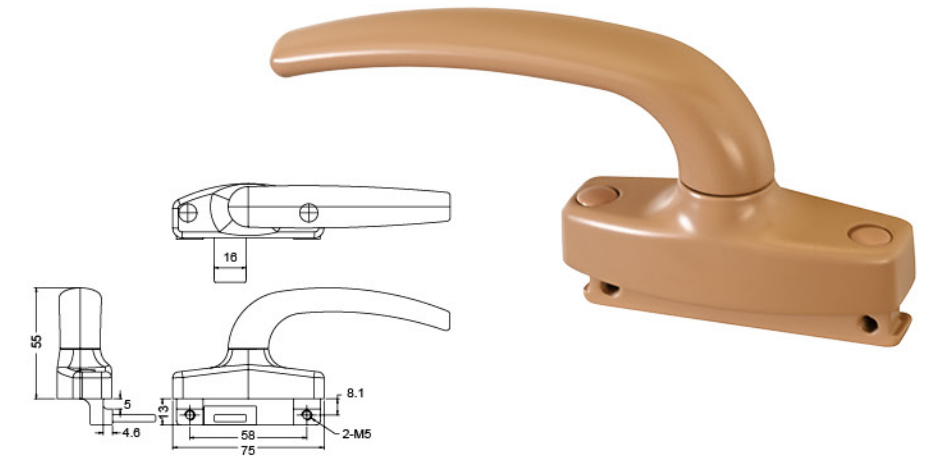
**MODEL**  
**MSDG-R**

**多点手执手**

- 材质：锌合金
- 表面处理：按客户要求

**Multiple Handheld Hands**

- Material: Zinc alloy
- Surface treatment: Customize



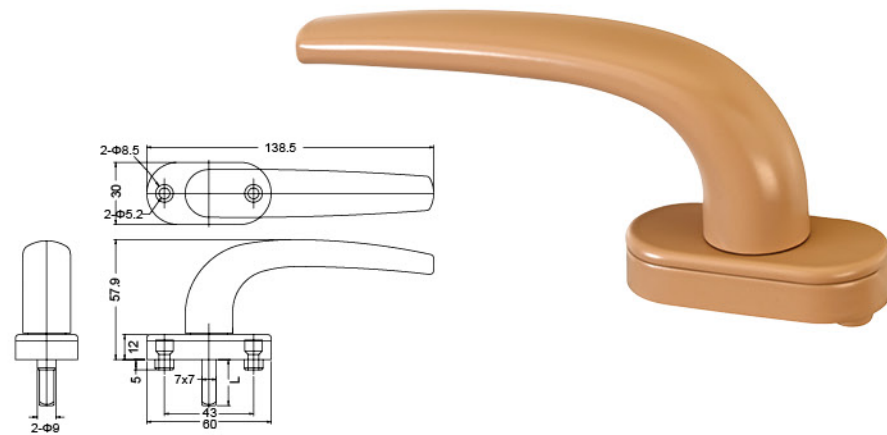
**MODEL**  
**HDS**

**多点手执手**

- 材质：锌合金
- 表面处理：按客户要求

**Multiple Handheld Hands**

- Material: Zinc alloy
- Surface treatment: Customize



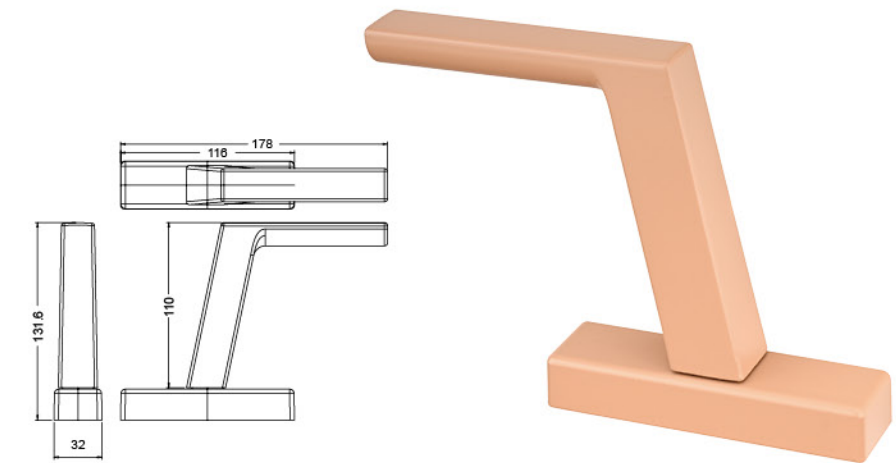
**MODEL**  
**MPFR-H131**

**多点手执手**

- 材质：锌合金
- 表面处理：按客户要求

**Multiple Handheld Hands**

- Material: Zinc alloy
- Surface treatment: Customize



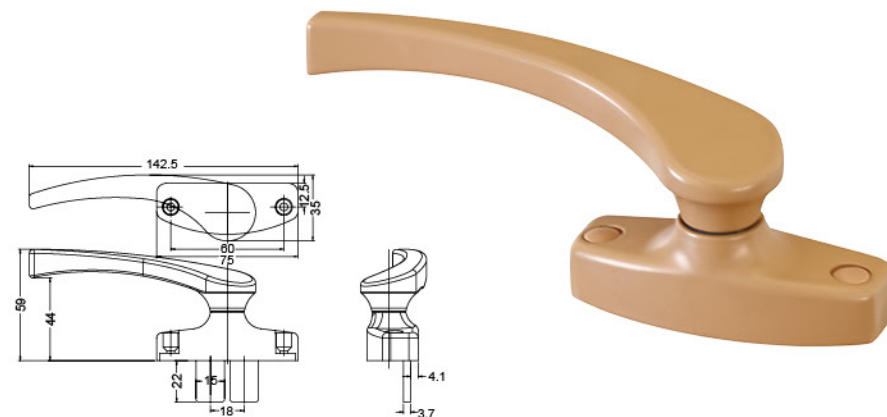
**MODEL**  
**CL29-R**

**多点手执手**

- 材质：锌合金
- 表面处理：按客户要求

**Multiple Handheld Hands**

- Material: Zinc alloy
- Surface treatment: Customize



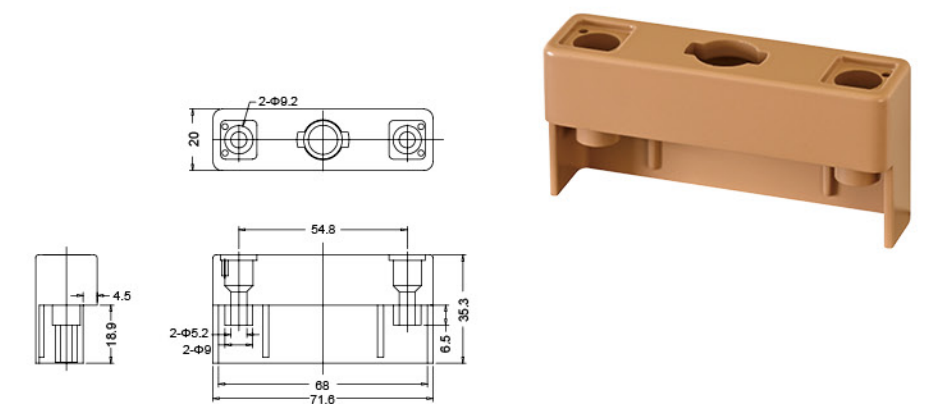
**MODEL**  
**MFEB**

**多点手执手**

- 材质：锌合金
- 表面处理：按客户要求

**Multiple Handheld Hands**

- Material: Zinc alloy
- Surface treatment: Customize



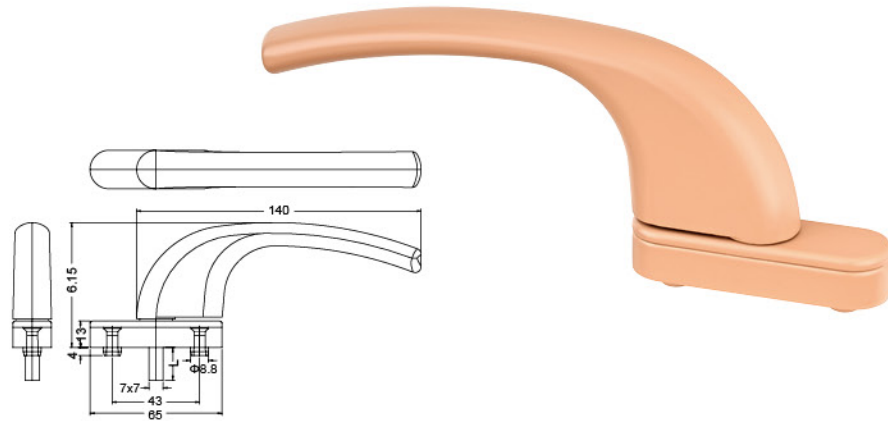
**MODEL**  
**PMR**

**多点手执手**

- 材质：锌合金
- 表面处理：按客户要求

**Multiple Handheld Hands**

- Material: Zinc alloy
- Surface treatment: Customize



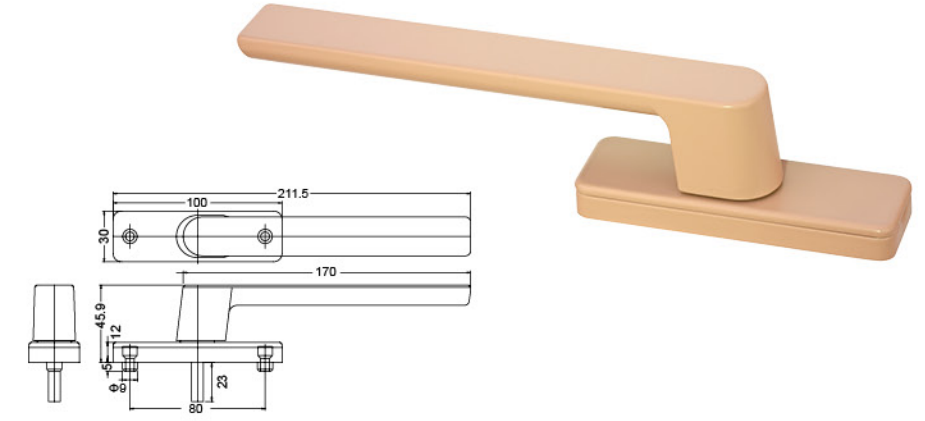
**MODEL**  
**MLOS**

**多点手执手**

- 材质：锌合金
- 表面处理：按客户要求

**Multiple Handheld Hands**

- Material: Zinc alloy
- Surface treatment: Customize



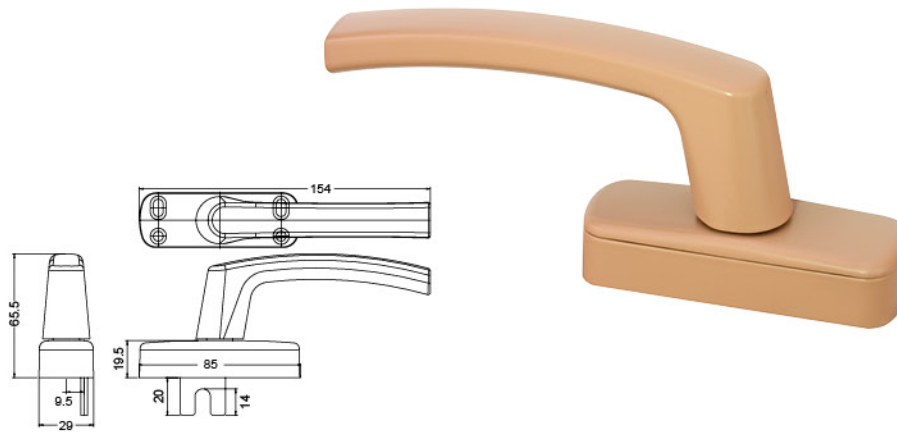
**MODEL**  
**MRTHC**

**多点手执手**

- 材质：锌合金
- 表面处理：按客户要求

**Multiple Handheld Hands**

- Material: Zinc alloy
- Surface treatment: Customize



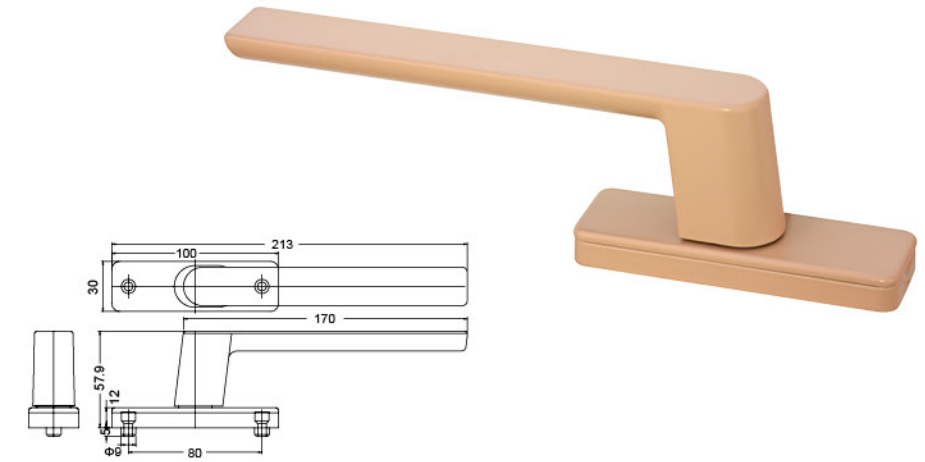
**MODEL**  
**MLOS-57.9**

**多点手执手**

- 材质：锌合金
- 表面处理：按客户要求

**Multiple Handheld Hands**

- Material: Zinc alloy
- Surface treatment: Customize



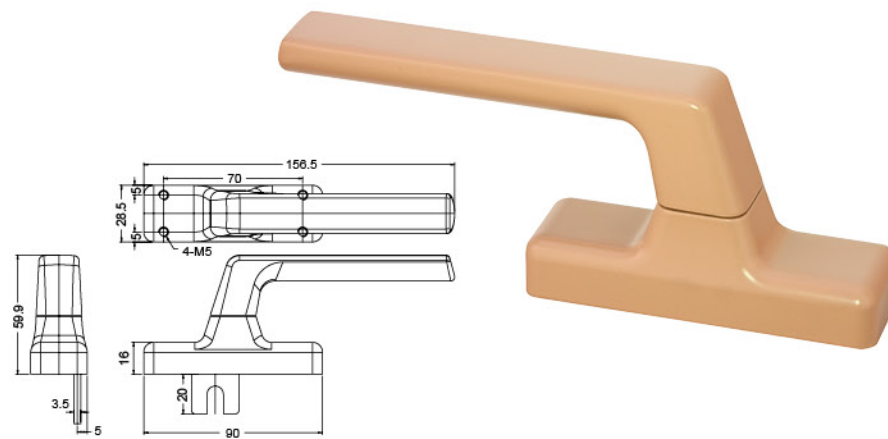
**MODEL**  
**MRLHB**

**多点手执手**

- 材质：锌合金
- 表面处理：按客户要求

**Multiple Handheld Hands**

- Material: Zinc alloy
- Surface treatment: Customize



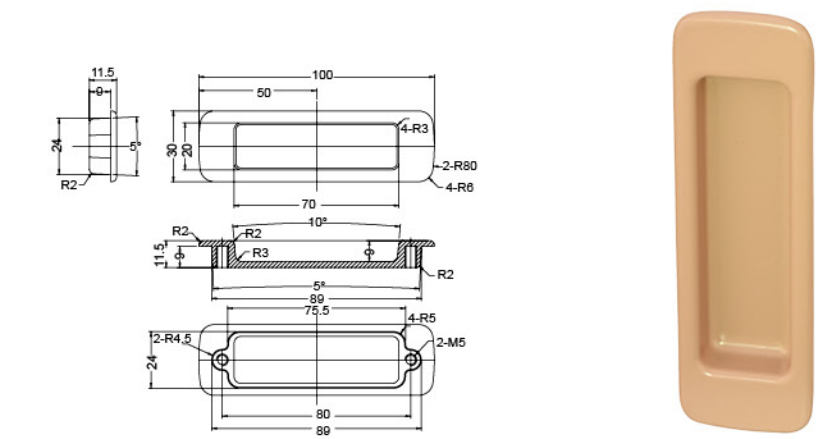
**MODEL**  
**MLO-PS**

**锁扣 / 锁点**

- 材质：锌合金
- 表面处理：按客户要求

**Lock buckle/locking point**

- Material: Zinc alloy
- Surface treatment: Customize





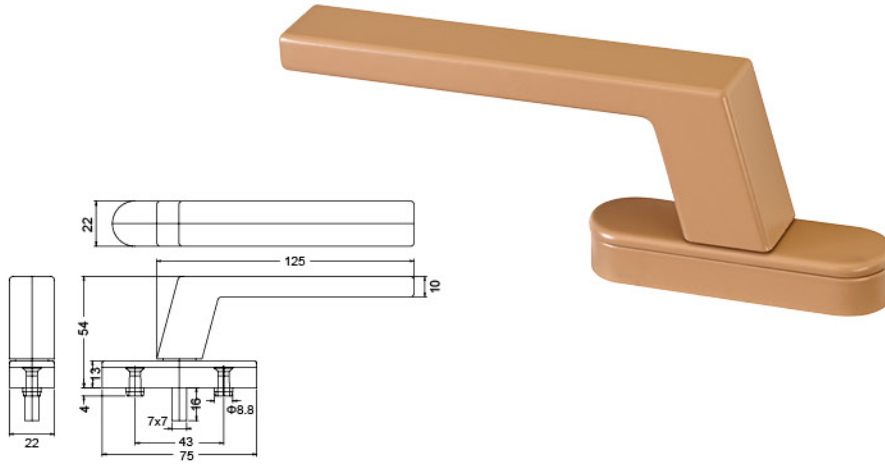
**MODEL**  
**MXT**

**方轴多点锁执手**

- 材质：锌合金
- 表面处理：按客户要求

**Square lock handle**

- Material: Zinc alloy
- Surface treatment: Customize



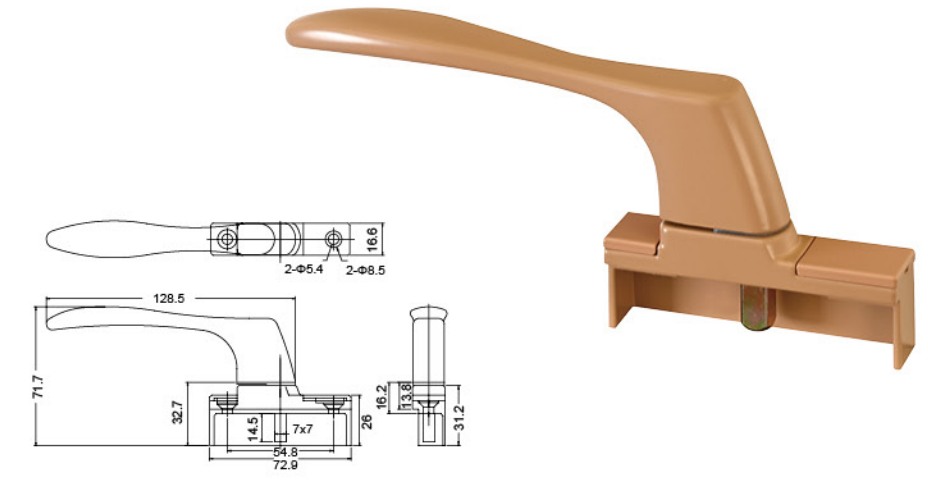
**MODEL**  
**MSTW-L**

**方轴多点锁执手**

- 材质：锌合金
- 表面处理：按客户要求

**Square lock handle**

- Material: Zinc alloy
- Surface treatment: Customize



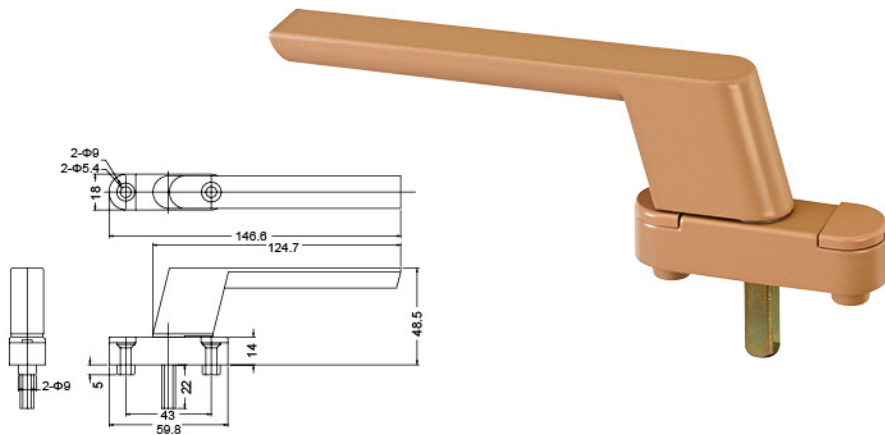
**MODEL**  
**MLDFOB-G**

**方轴多点锁执手**

- 材质：锌合金
- 表面处理：按客户要求

**Square lock handle**

- Material: Zinc alloy
- Surface treatment: Customize



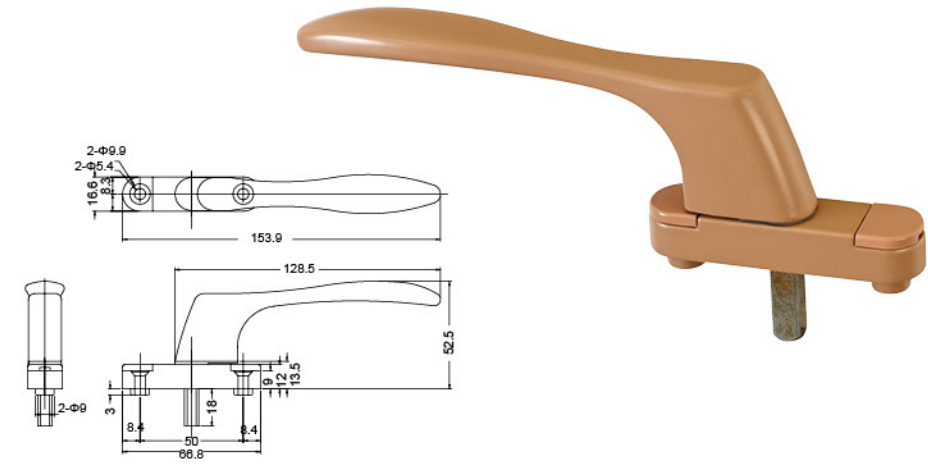
**MODEL**  
**MST-FM-R**

**方轴多点锁执手**

- 材质：锌合金
- 表面处理：按客户要求

**Square lock handle**

- Material: Zinc alloy
- Surface treatment: Customize



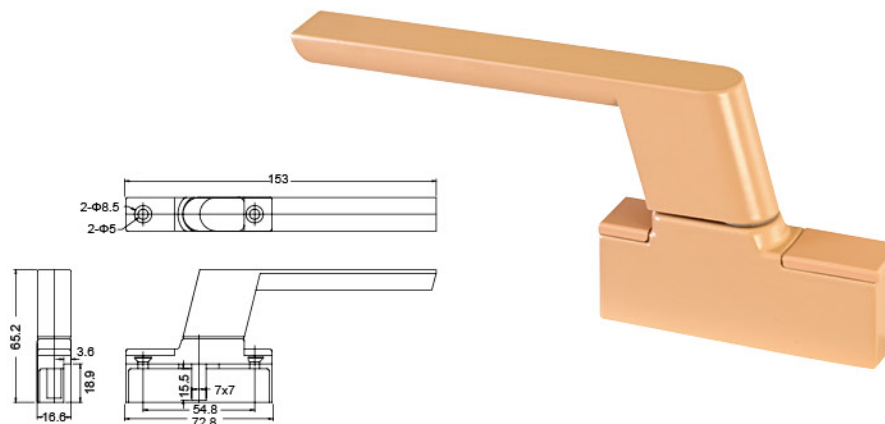
**MODEL**  
**MLDPOB-R**

**方轴多点锁执手**

- 材质：锌合金
- 表面处理：按客户要求

**Square lock handle**

- Material: Zinc alloy
- Surface treatment: Customize



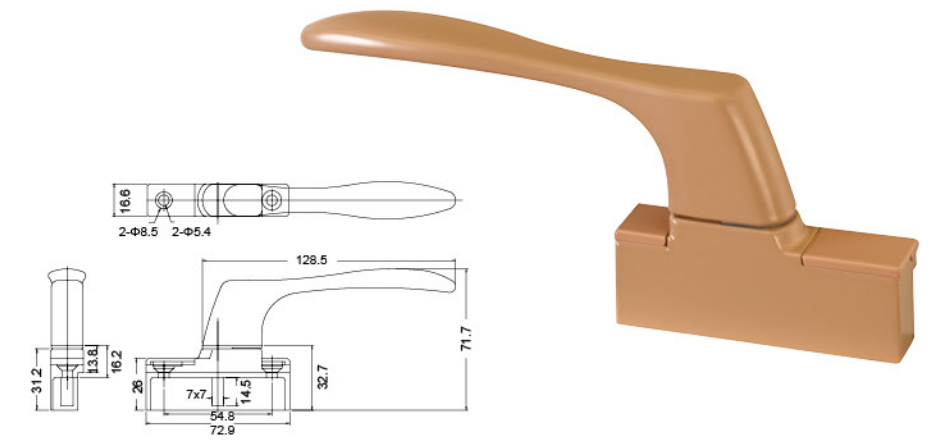
**MODEL**  
**MSTW-R**

**方轴多点锁执手**

- 材质：锌合金
- 表面处理：按客户要求

**Square lock handle**

- Material: Zinc alloy
- Surface treatment: Customize





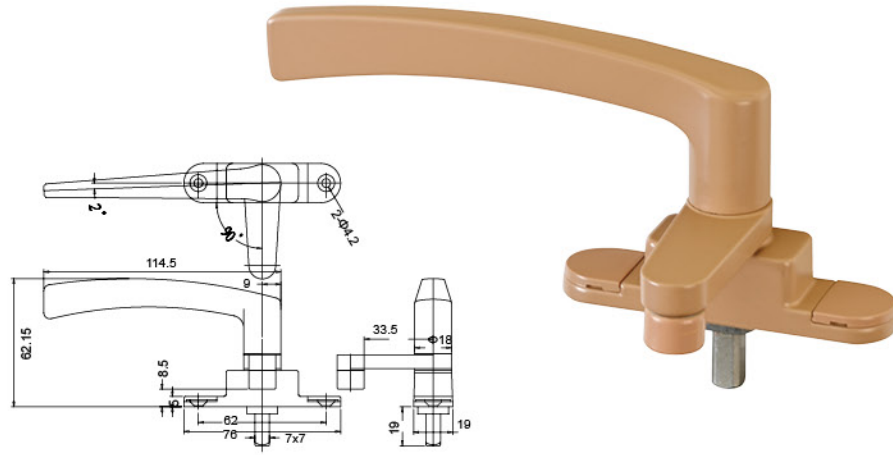
MODEL  
**CAHS-R**

方轴多点锁执手

- 材质：锌合金
- 表面处理：按客户要求

Square lock handle

- Material: Zinc alloy
- Surface treatment: Customize



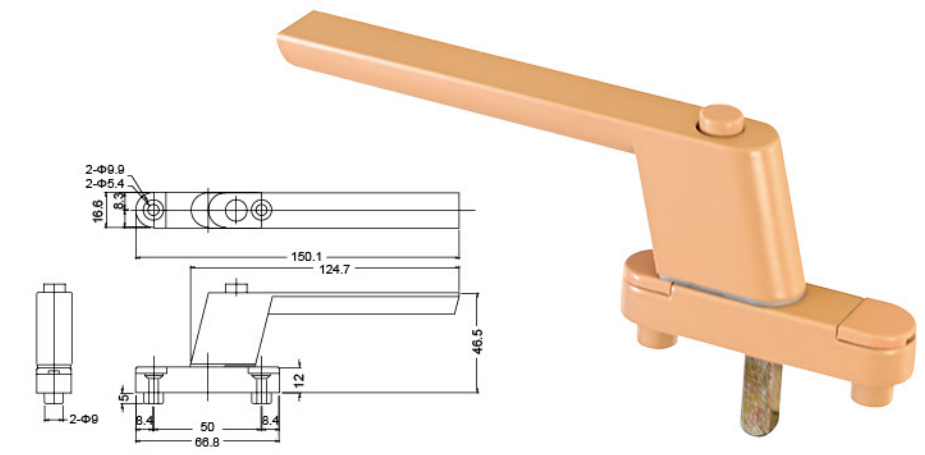
MODEL  
**MLDFP**

方轴多点锁执手

- 材质：锌合金
- 表面处理：按客户要求

Square lock handle

- Material: Zinc alloy
- Surface treatment: Customize



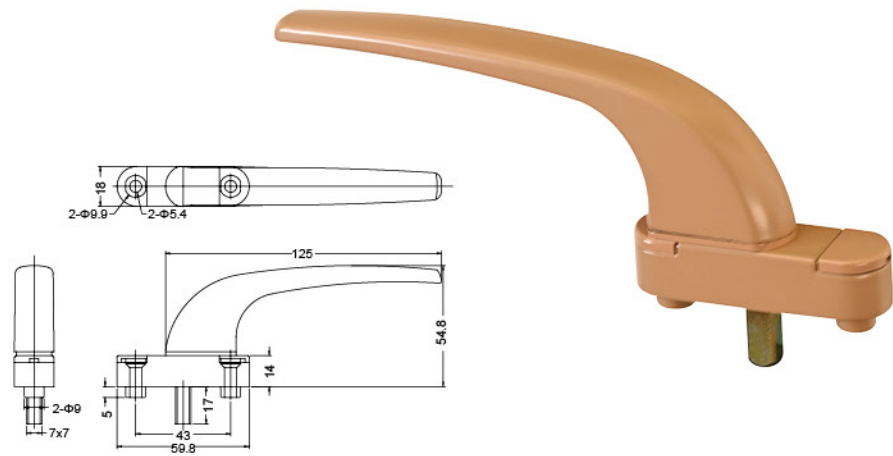
MODEL  
**MHFPOB**

方轴多点锁执手

- 材质：锌合金
- 表面处理：按客户要求

Square lock handle

- Material: Zinc alloy
- Surface treatment: Customize



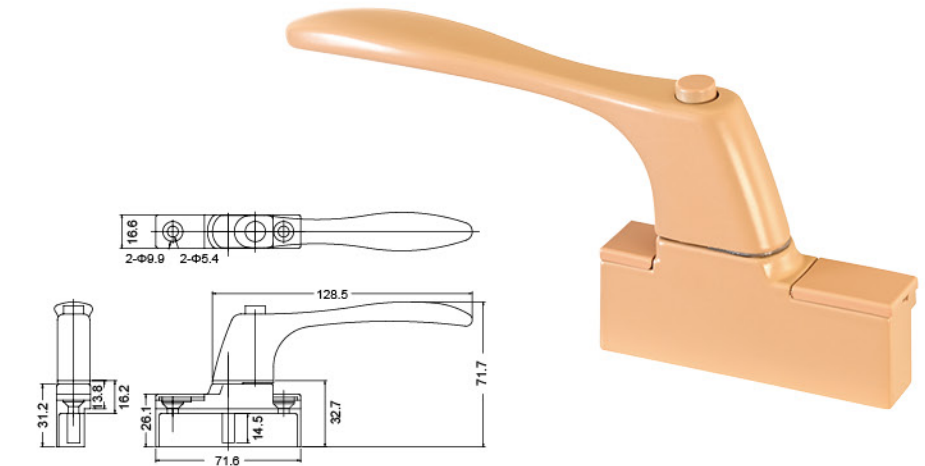
MODEL  
**MST-R**

方轴多点锁执手

- 材质：锌合金
- 表面处理：按客户要求

Square lock handle

- Material: Zinc alloy
- Surface treatment: Customize



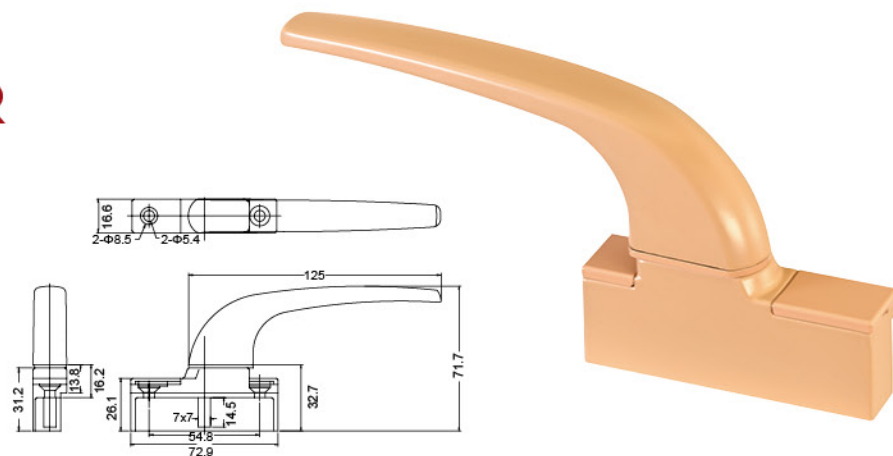
MODEL  
**MHFPSTOB-R**

方轴多点锁执手

- 材质：锌合金
- 表面处理：按客户要求

Square lock handle

- Material: Zinc alloy
- Surface treatment: Customize



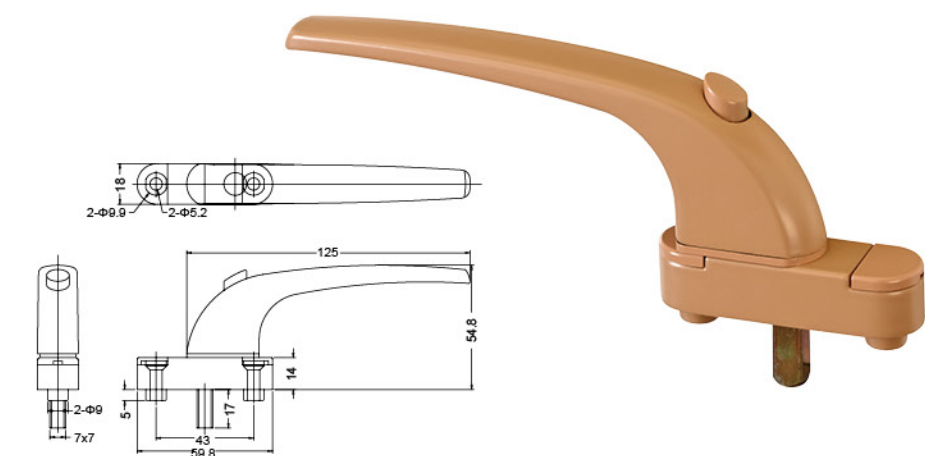
MODEL  
**MHFP**

方轴多点锁执手

- 材质：锌合金
- 表面处理：按客户要求

Square lock handle

- Material: Zinc alloy
- Surface treatment: Customize



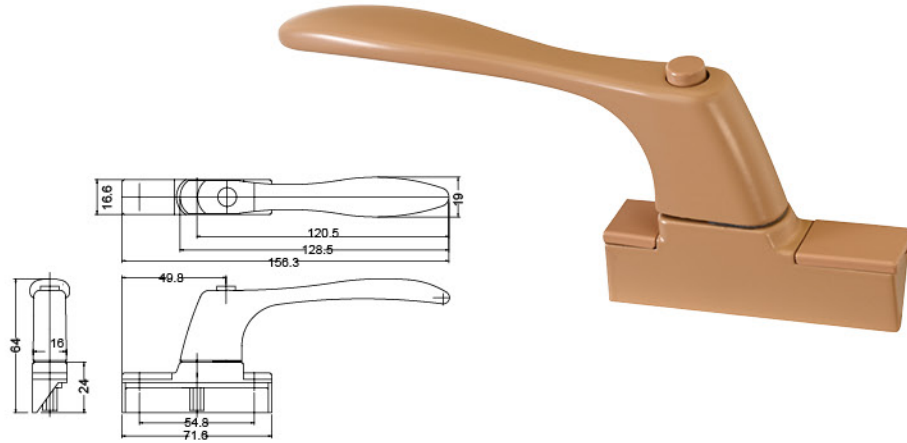
MODEL  
**CL17-R**

方轴多点锁执手

- 材质：锌合金
- 表面处理：按客户要求

Square lock handle

- Material: Zinc alloy
- Surface treatment: Customize



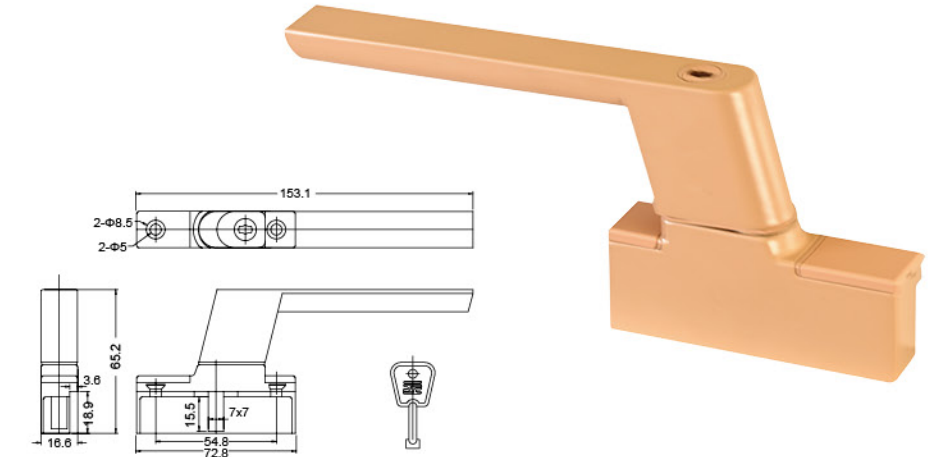
MODEL  
**MLDPK-R**

方轴多点锁执手

- 材质：锌合金
- 表面处理：按客户要求

Square lock handle

- Material: Zinc alloy
- Surface treatment: Customize



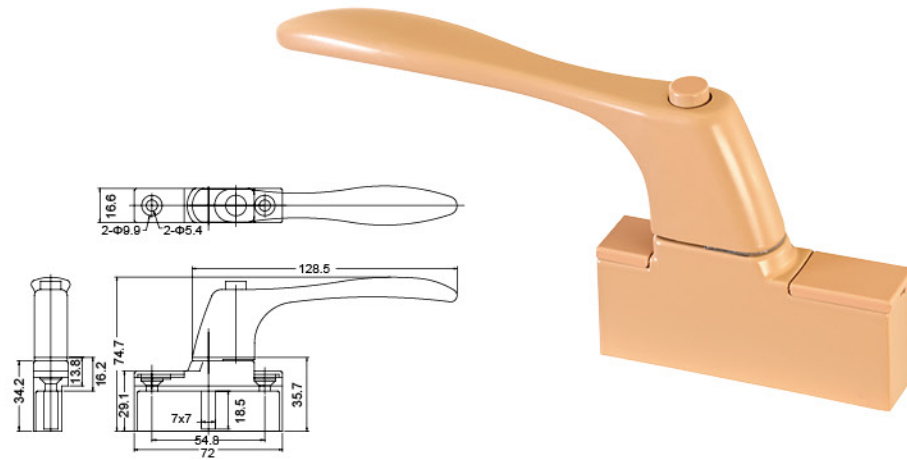
MODEL  
**MSTL-R**

方轴多点锁执手

- 材质：锌合金
- 表面处理：按客户要求

Square lock handle

- Material: Zinc alloy
- Surface treatment: Customize



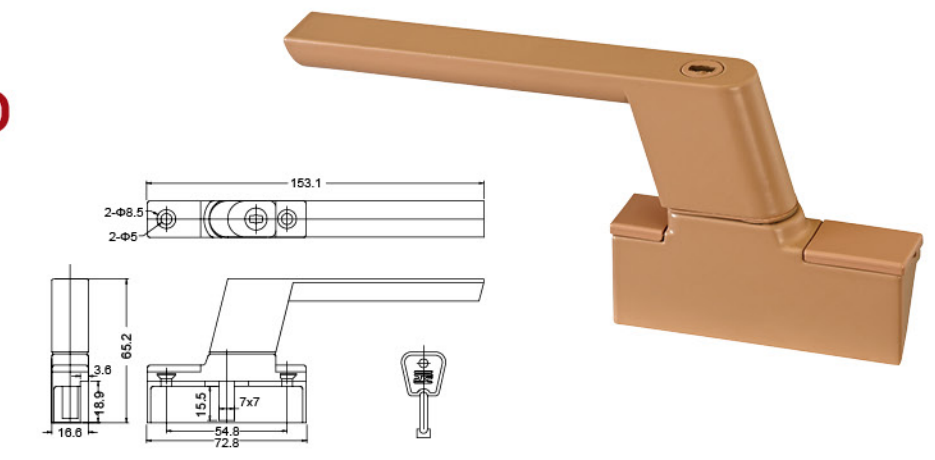
MODEL  
**MLDPK-R-50**

方轴多点锁执手

- 材质：锌合金
- 表面处理：按客户要求

Square lock handle

- Material: Zinc alloy
- Surface treatment: Customize



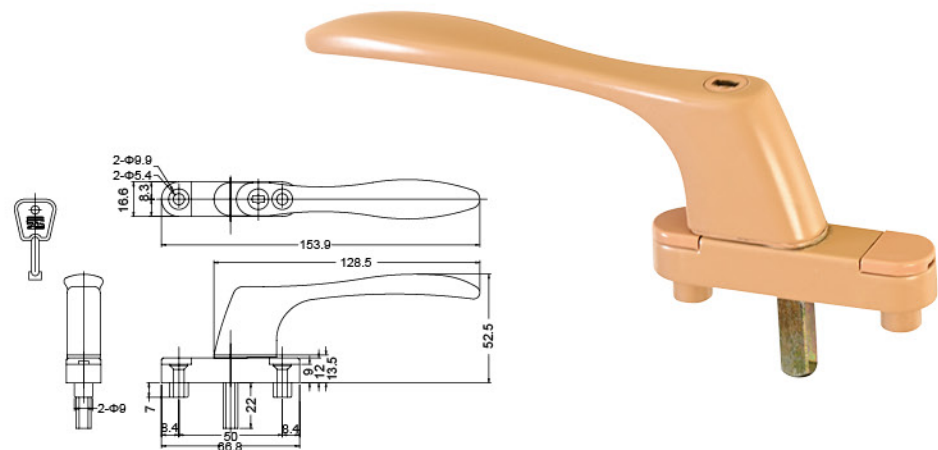
MODEL  
**MSTK-FM-R**

方轴多点锁执手

- 材质：锌合金
- 表面处理：按客户要求

Square lock handle

- Material: Zinc alloy
- Surface treatment: Customize



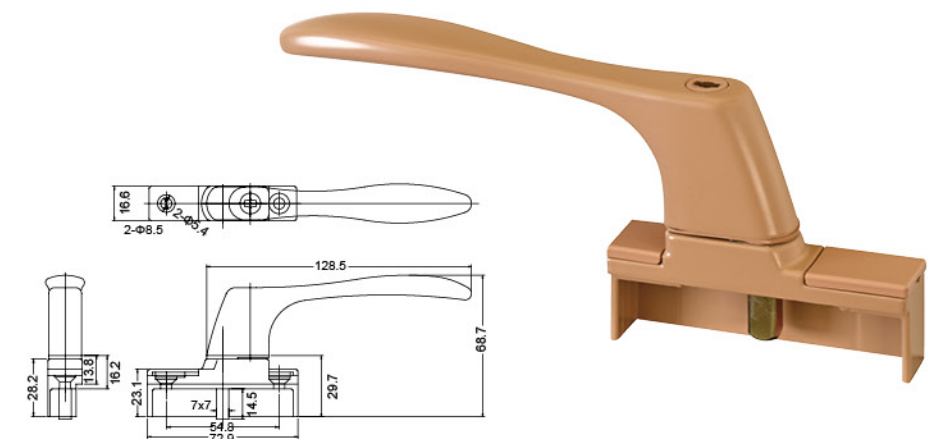
MODEL  
**MSTK-R**

方轴多点锁执手

- 材质：锌合金
- 表面处理：按客户要求

Square lock handle

- Material: Zinc alloy
- Surface treatment: Customize



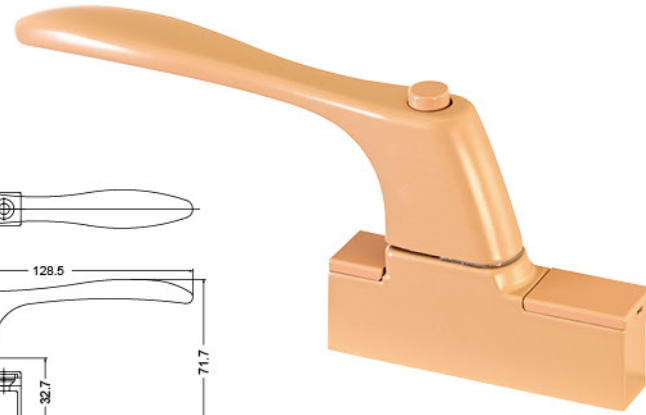
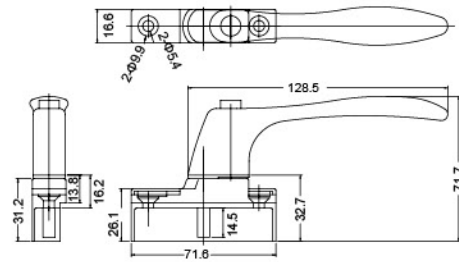
**MODEL**  
**MST-R-28.2**

**方轴多点锁执手**

- 材质：锌合金
- 表面处理：按客户要求

**Square lock handle**

- Material: Zinc alloy
- Surface treatment: Customize



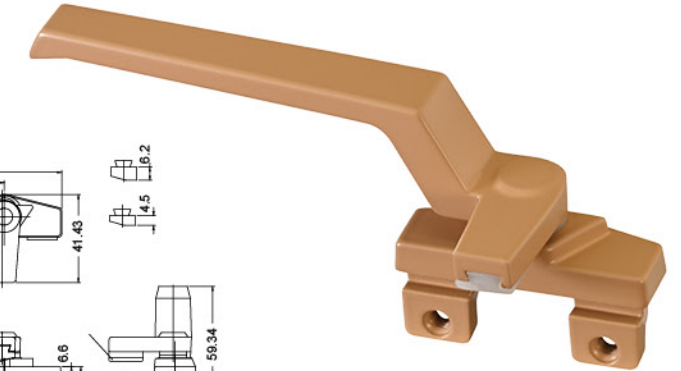
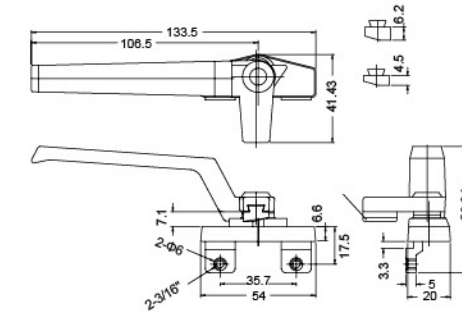
**MODEL**  
**CSTN-L/4.5**

**七字执手**

- 材质：锌合金
- 表面处理：按客户要求

**Seven character handle**

- Material: Zinc alloy
- Surface treatment: Customize



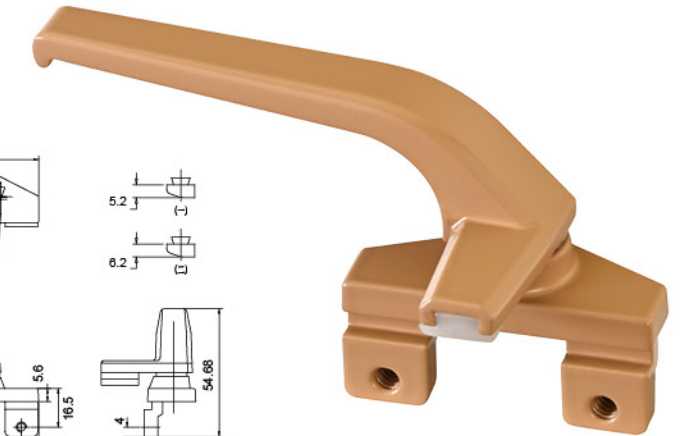
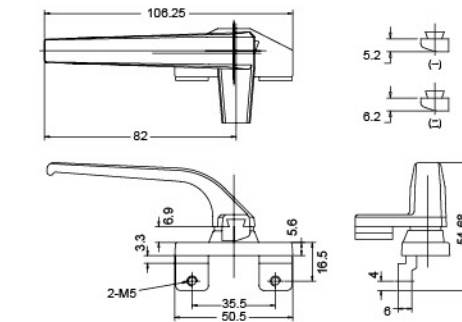
**MODEL**  
**CLHS-L/4.5**

**七字执手**

- 材质：锌合金
- 表面处理：按客户要求

**Seven character handle**

- Material: Zinc alloy
- Surface treatment: Customize



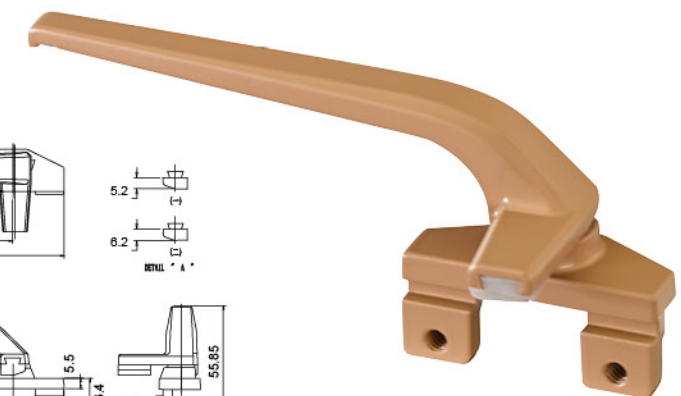
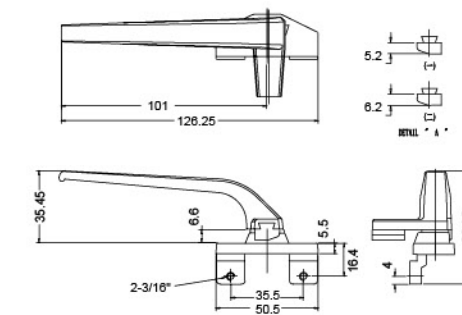
**MODEL**  
**CLHL-L/4.5**

**七字执手**

- 材质：锌合金
- 表面处理：按客户要求

**Seven character handle**

- Material: Zinc alloy
- Surface treatment: Customize



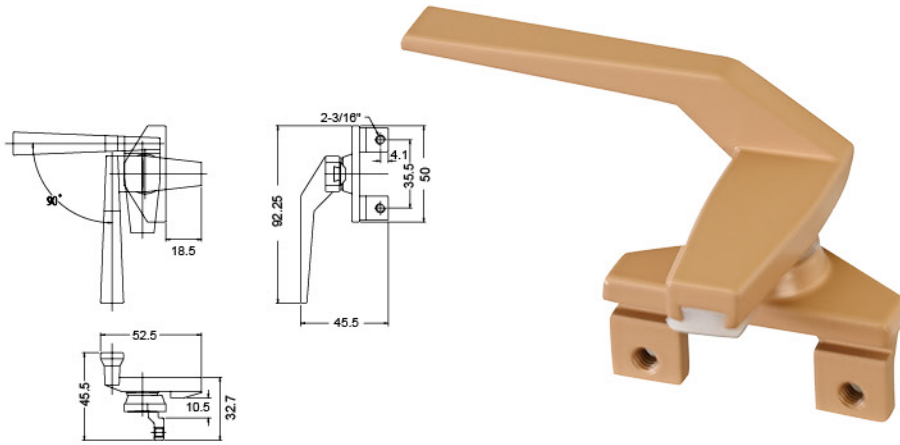
**MODEL**  
**CBF-L**

**七 字 执 手**

- 材 质 : 锌 合 金
- 表 面 处 理 : 按 客 户 要 求

**Seven character handle**

- Material: Zinc alloy
- Surface treatment: Customize



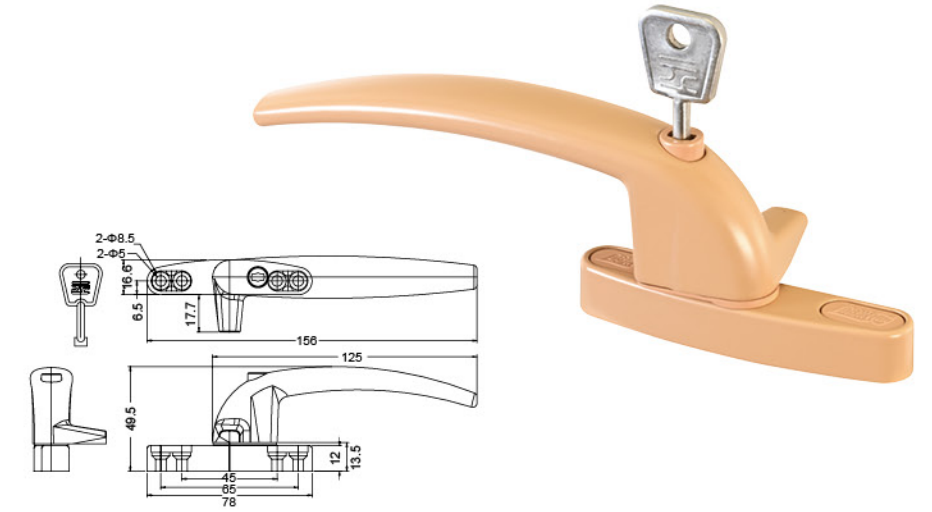
**MODEL**  
**CSDK-R**

**七 字 执 手**

- 材 质 : 锌 合 金
- 表 面 处 理 : 按 客 户 要 求

**Seven character handle**

- Material: Zinc alloy
- Surface treatment: Customize



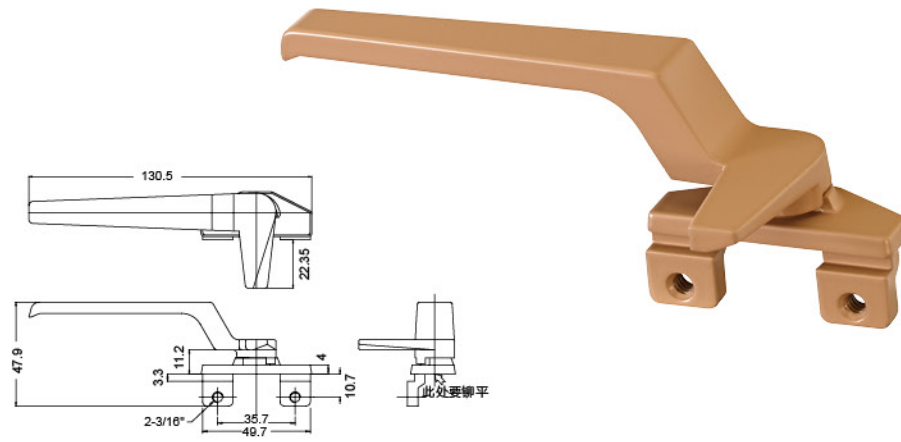
**MODEL**  
**CST-L**

**七 字 执 手**

- 材 质 : 锌 合 金
- 表 面 处 理 : 按 客 户 要 求

**Seven character handle**

- Material: Zinc alloy
- Surface treatment: Customize



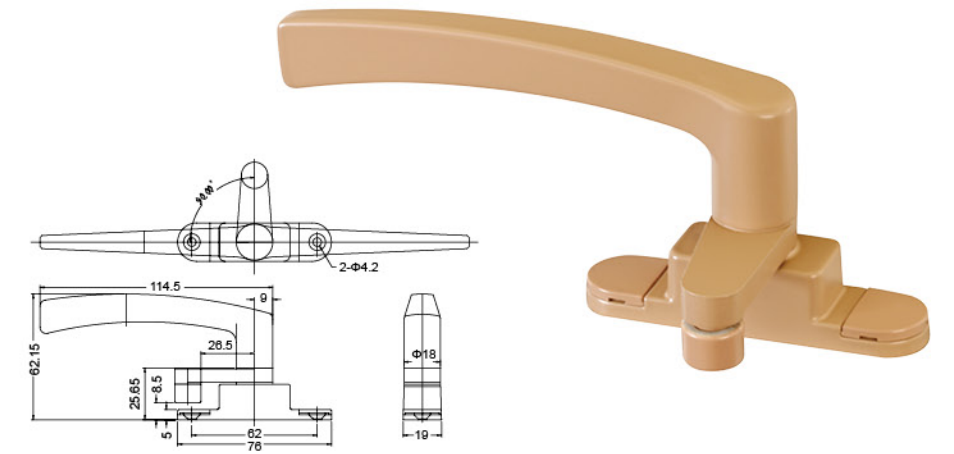
**MODEL**  
**CAH-R**

**七 字 执 手**

- 材 质 : 锌 合 金
- 表 面 处 理 : 按 客 户 要 求

**Seven character handle**

- Material: Zinc alloy
- Surface treatment: Customize



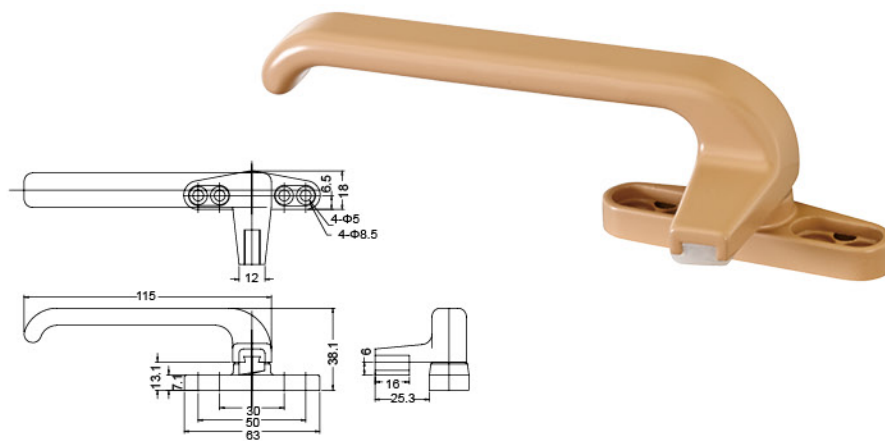
**MODEL**  
**CHSD-L/4.5**

**七 字 执 手**

- 材 质 : 锌 合 金
- 表 面 处 理 : 按 客 户 要 求

**Seven character handle**

- Material: Zinc alloy
- Surface treatment: Customize



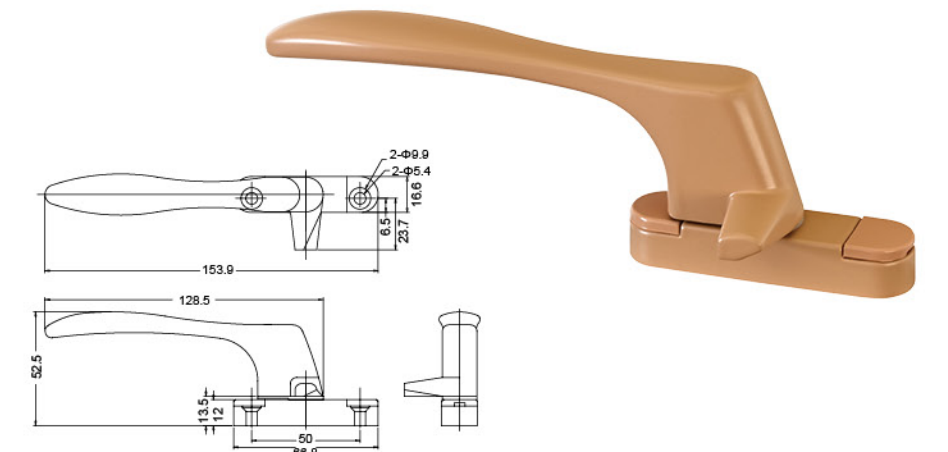
**MODEL**  
**CTRC-L**

**七 字 执 手**

- 材 质 : 锌 合 金
- 表 面 处 理 : 按 客 户 要 求

**Seven character handle**

- Material: Zinc alloy
- Surface treatment: Customize



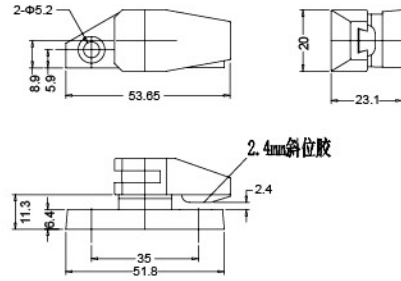
MODEL  
**CHLNS-L**

七字执手

- 材质：锌合金
- 表面处理：按客户要求

Seven character handle

- Material: Zinc alloy
- Surface treatment: Customize



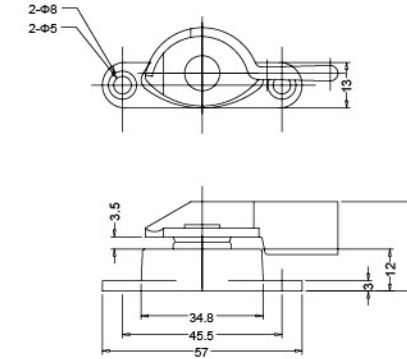
MODEL  
**CLK-R**

七字执手

- 材质：锌合金
- 表面处理：按客户要求

Seven character handle

- Material: Zinc alloy
- Surface treatment: Customize



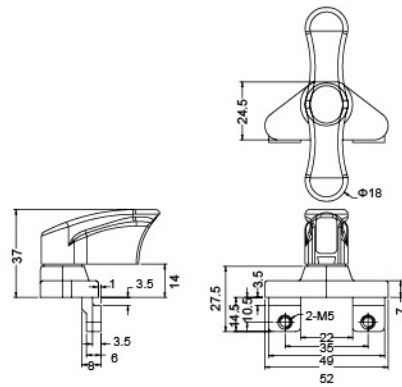
MODEL  
**CTL-R**

七字执手

- 材质：锌合金
- 表面处理：按客户要求

Seven character handle

- Material: Zinc alloy
- Surface treatment: Customize



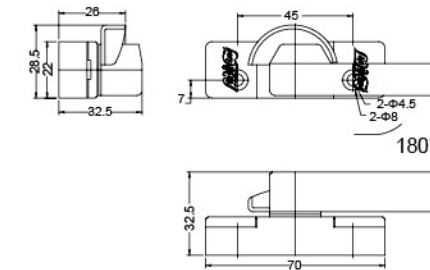
MODEL  
**CLRS-R**

七字执手

- 材质：锌合金
- 表面处理：按客户要求

Seven character handle

- Material: Zinc alloy
- Surface treatment: Customize



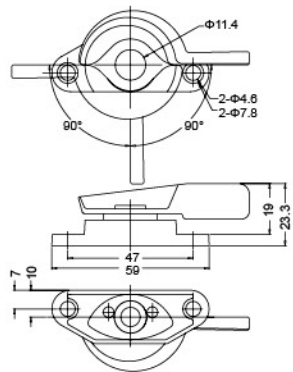
MODEL  
**CLKL-R**

七字执手

- 材质：锌合金
- 表面处理：按客户要求

Seven character handle

- Material: Zinc alloy
- Surface treatment: Customize



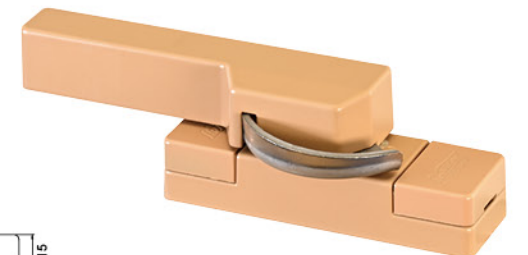
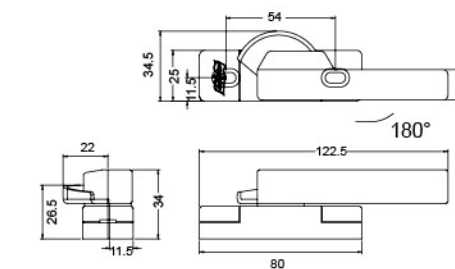
MODEL  
**CLR-R**

七字执手

- 材质：锌合金
- 表面处理：按客户要求

Seven character handle

- Material: Zinc alloy
- Surface treatment: Customize





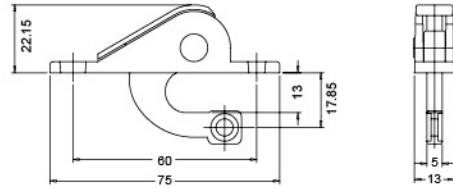
**MODEL**  
**DLH-UP**

**联动执手**

- 材质：锌合金
- 表面处理：按客户要求

**Dual lock**

- Material: Zinc alloy
- Surface treatment: Customize



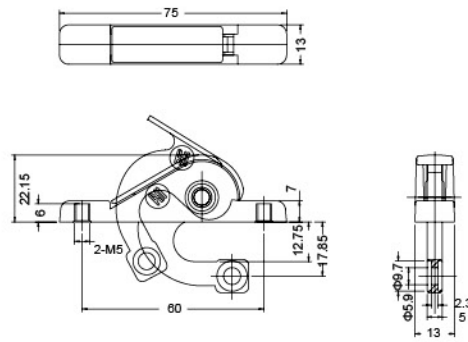
**MODEL**  
**DBM-UP**

**联动执手**

- 材质：锌合金
- 表面处理：按客户要求

**Dual lock**

- Material: Zinc alloy
- Surface treatment: Customize



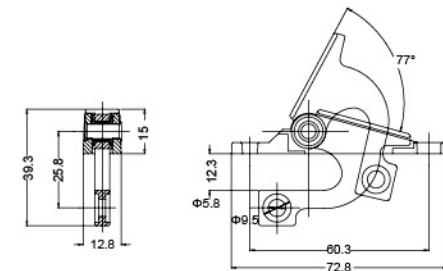
**MODEL**  
**DST-UP**

**联动执手**

- 材质：锌合金
- 表面处理：按客户要求

**Dual lock**

- Material: Zinc alloy
- Surface treatment: Customize



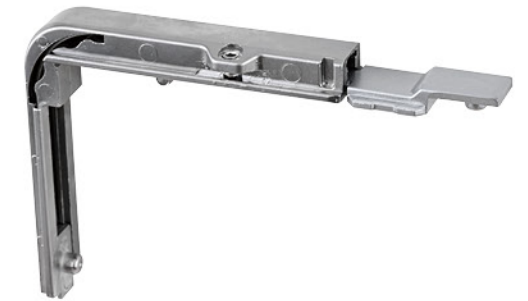
**MODEL**  
**MPCS**

**锁扣 / 锁点**

- 材质：锌合金
- 表面处理：按客户要求

**Lock buckle/locking point**

- Material: Zinc alloy
- Surface treatment: Customize



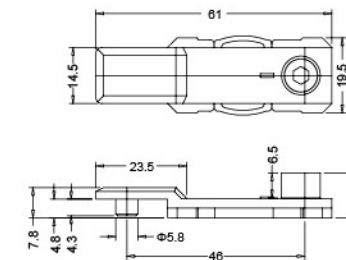
**MODEL**  
**MSHL**

**锁扣 / 锁点**

- 材质：锌合金
- 表面处理：按客户要求

**Lock buckle/locking point**

- Material: Zinc alloy
- Surface treatment: Customize



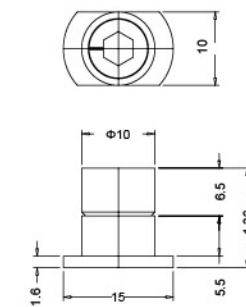
**MODEL**  
**ASRP-13.8**

**锁扣 / 锁点**

- 材质：锌合金
- 表面处理：按客户要求

**Lock buckle/locking point**

- Material: Zinc alloy
- Surface treatment: Customize





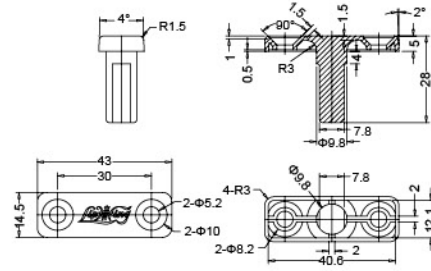
MODEL  
**MSDN-LF**

锁扣 / 锁点

- 材质：锌合金
- 表面处理：按客户要求

Lock buckle/locking point

- Material: Zinc alloy
- Surface treatment: Customize



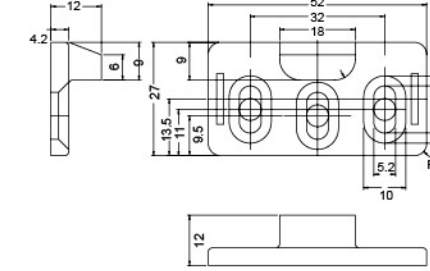
MODEL  
**KPB**

锁扣 / 锁点

- 材质：锌合金
- 表面处理：按客户要求

Lock buckle/locking point

- Material: Zinc alloy
- Surface treatment: Customize



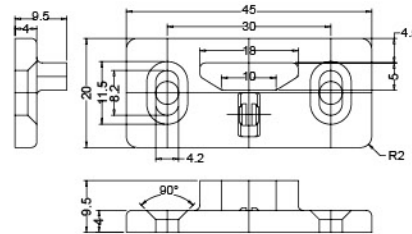
MODEL  
**KPA**

锁扣 / 锁点

- 材质：锌合金
- 表面处理：按客户要求

Lock buckle/locking point

- Material: Zinc alloy
- Surface treatment: Customize



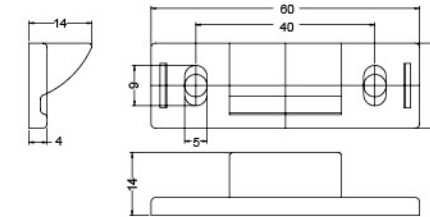
MODEL  
**ZBSF**

锁扣 / 锁点

- 材质：锌合金
- 表面处理：按客户要求

Lock buckle/locking point

- Material: Zinc alloy
- Surface treatment: Customize



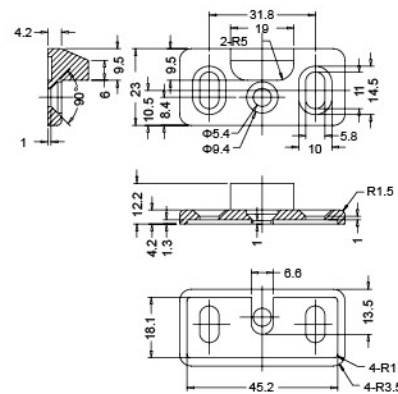
MODEL  
**KMPI**

锁扣 / 锁点

- 材质：锌合金
- 表面处理：按客户要求

Lock buckle/locking point

- Material: Zinc alloy
- Surface treatment: Customize



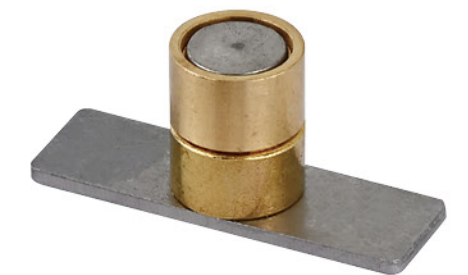
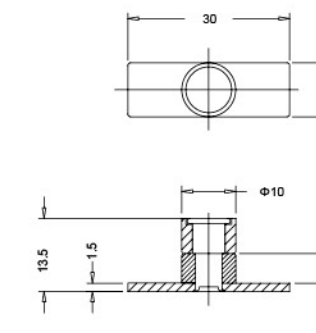
MODEL  
**ACRP-13.5**

锁扣 / 锁点

- 材质：锌合金
- 表面处理：按客户要求

Lock buckle/locking point

- Material: Zinc alloy
- Surface treatment: Customize



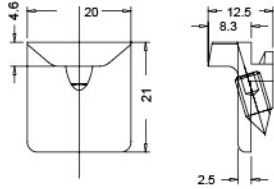
**MODEL**  
**KGS**

锁扣 / 锁点

- 材质：锌合金
- 表面处理：按客户要求

Lock buckle/locking point

- Material: Zinc alloy
- Surface treatment: Customize



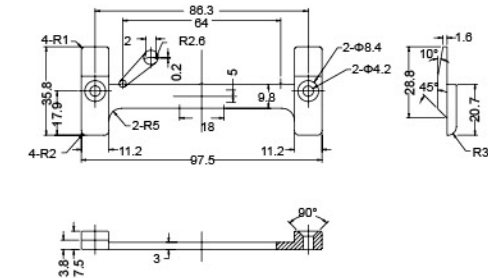
**MODEL**  
**KPI06**

锁扣 / 锁点

- 材质：锌合金
- 表面处理：按客户要求

Lock buckle/locking point

- Material: Zinc alloy
- Surface treatment: Customize



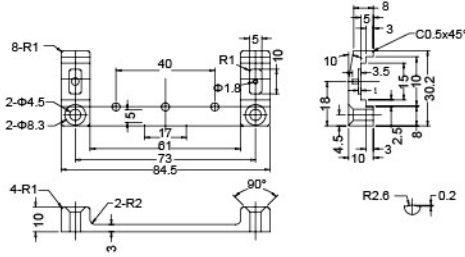
**MODEL**  
**9K-10207**

锁扣 / 锁点

- 材质：锌合金
- 表面处理：按客户要求

Lock buckle/locking point

- Material: Zinc alloy
- Surface treatment: Customize



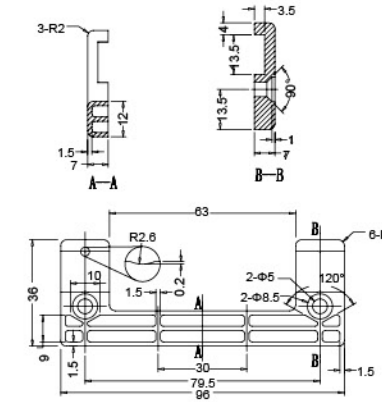
**MODEL**  
**KSFE**

锁扣 / 锁点

- 材质：锌合金
- 表面处理：按客户要求

Lock buckle/locking point

- Material: Zinc alloy
- Surface treatment: Customize



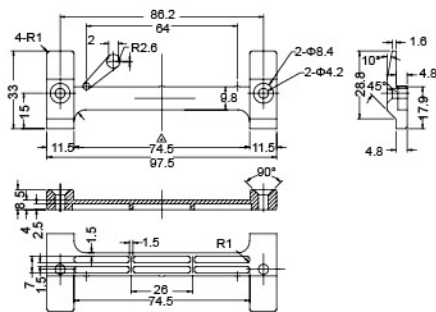
**MODEL**  
**KPI06-2-4.8**

锁扣 / 锁点

- 材质：锌合金
- 表面处理：按客户要求

Lock buckle/locking point

- Material: Zinc alloy
- Surface treatment: Customize



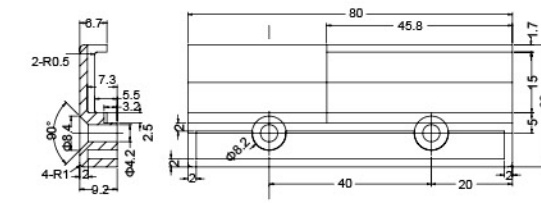
**MODEL**  
**LTS-SC-L**

锁扣 / 锁点

- 材质：锌合金
- 表面处理：按客户要求

Lock buckle/locking point

- Material: Zinc alloy
- Surface treatment: Customize





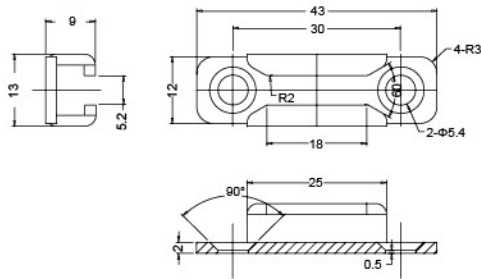
**MODEL**  
**SDJM-PK**

**锁扣 / 锁点**

- 材质：304 不锈钢
- 表面处理：按客户要求

**Lock buckle/locking point**

- Material: 304 stainless steel
- Surface treatment: Customize



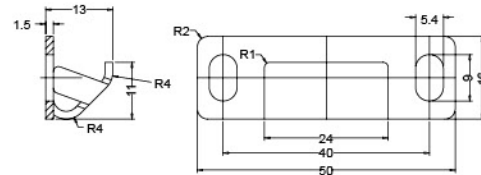
**MODEL**  
**SBS**

**锁扣 / 锁点**

- 材质：304 不锈钢
- 表面处理：按客户要求

**Lock buckle/locking point**

- Material: 304 stainless steel
- Surface treatment: Customize



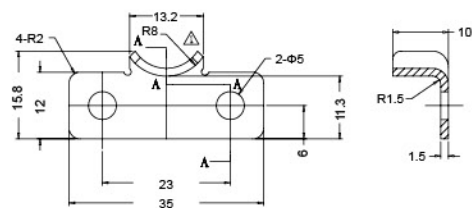
**MODEL**  
**KAS-1**

**锁扣 / 锁点**

- 材质：304 不锈钢
- 表面处理：按客户要求

**Lock buckle/locking point**

- Material: 304 stainless steel
- Surface treatment: Customize



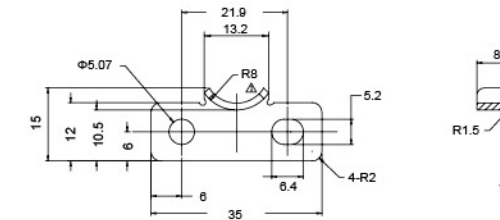
**MODEL**  
**KLT-3**

**锁扣 / 锁点**

- 材质：304 不锈钢
- 表面处理：按客户要求

**Lock buckle/locking point**

- Material: 304 stainless steel
- Surface treatment: Customize



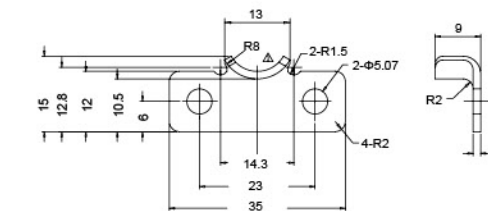
**MODEL**  
**KYH-8**

**锁扣 / 锁点**

- 材质：304 不锈钢
- 表面处理：按客户要求

**Lock buckle/locking point**

- Material: 304 stainless steel
- Surface treatment: Customize



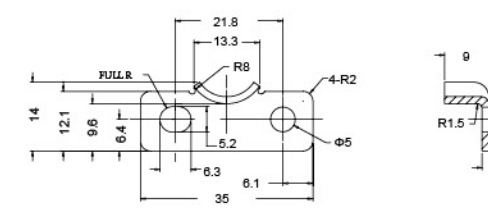
**MODEL**  
**KPY-5**

**锁扣 / 锁点**

- 材质：304 不锈钢
- 表面处理：按客户要求

**Lock buckle/locking point**

- Material: 304 stainless steel
- Surface treatment: Customize





推拉门窗  
Sliding door & window

MODEL  
**SDZLH-PL**

推拉门窗系统

- 材质：锌合金
- 表面处理：按客户要求

Sliding door & window

- Material: Zinc alloy
- Surface treatment: Customize



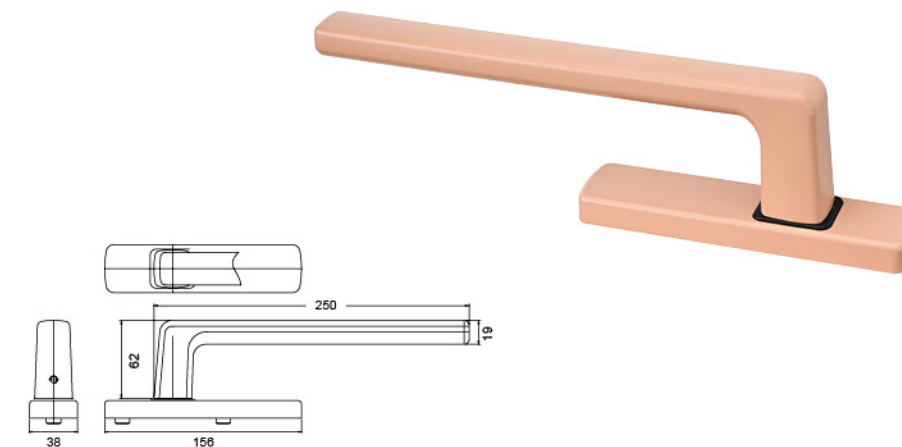
MODEL  
**SDZLHE**

推拉门窗系统

- 材质：锌合金
- 表面处理：按客户要求

Sliding door & window

- Material: Zinc alloy
- Surface treatment: Customize



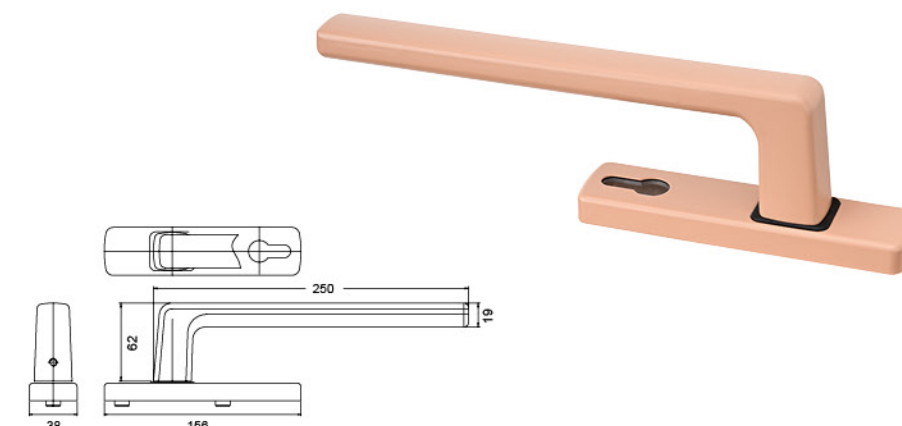
MODEL  
**SDZLHS**

推拉门窗系统

- 材质：锌合金
- 表面处理：按客户要求

Sliding door & window

- Material: Zinc alloy
- Surface treatment: Customize



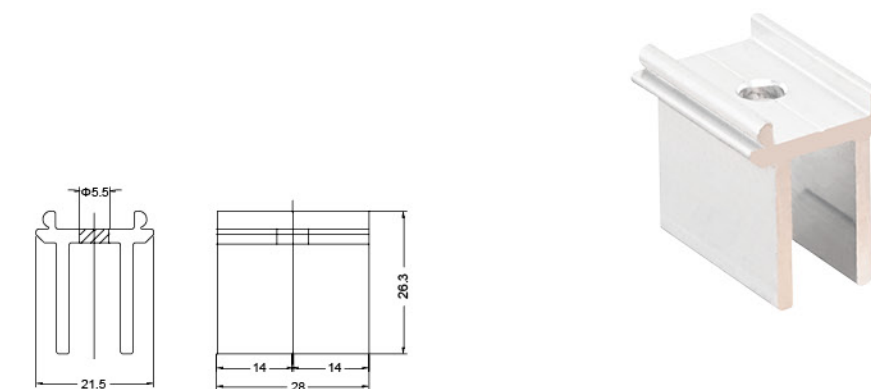
MODEL  
**SDZAB-H**

推拉门窗系统

- 材质：铝粉
- 表面处理：按客户要求

Sliding door & window

- Material: Aluminum powder
- Surface treatment: Customize



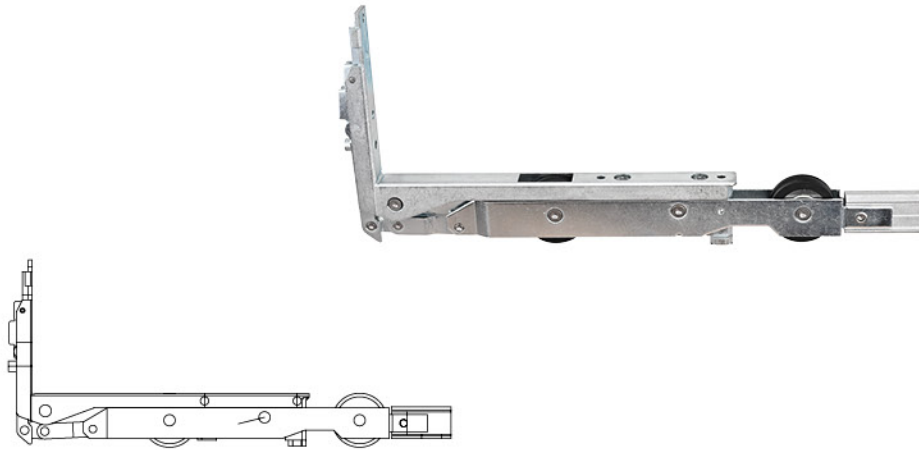
**MODEL**  
**SDFFR-7**

**推拉门窗系统**

- 材质：锌合金 + 铁 + 不锈钢
- 表面处理：按客户要求

**Sliding door & window**

- Material: Zinc alloy+ iron+stainless steel
- Surface treatment: Customize



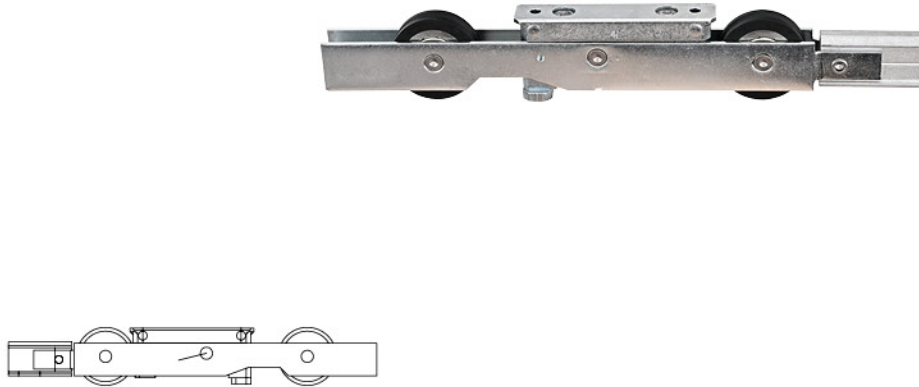
**MODEL**  
**SDFRR-7**

**推拉门窗系统**

- 材质：锌合金 + 铁 + 不锈钢
- 表面处理：按客户要求

**Sliding door & window**

- Material: Zinc alloy+ iron+stainless steel
- Surface treatment: Customize



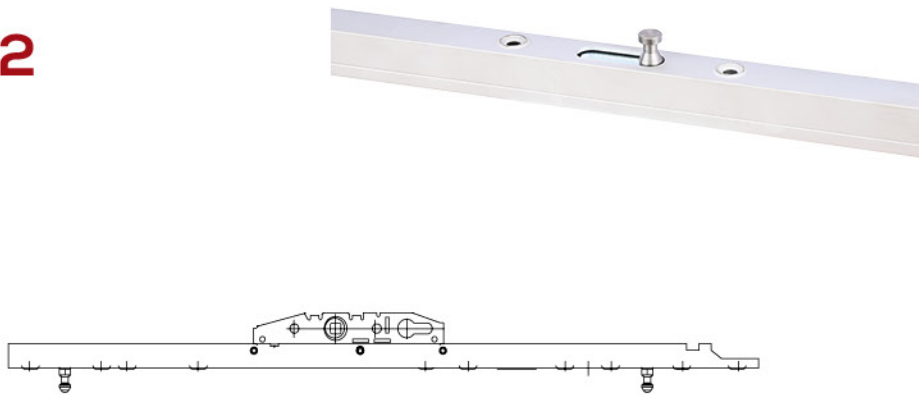
**MODEL**  
**SDZGB-BM-F2**

**推拉门窗系统**

- 材质：铝合金 + 铁 + 不锈钢
- 表面处理：按客户要求

**Sliding door & window**

- Material: Aluminum alloy+ iron+stainless steel
- Surface treatment: Customize



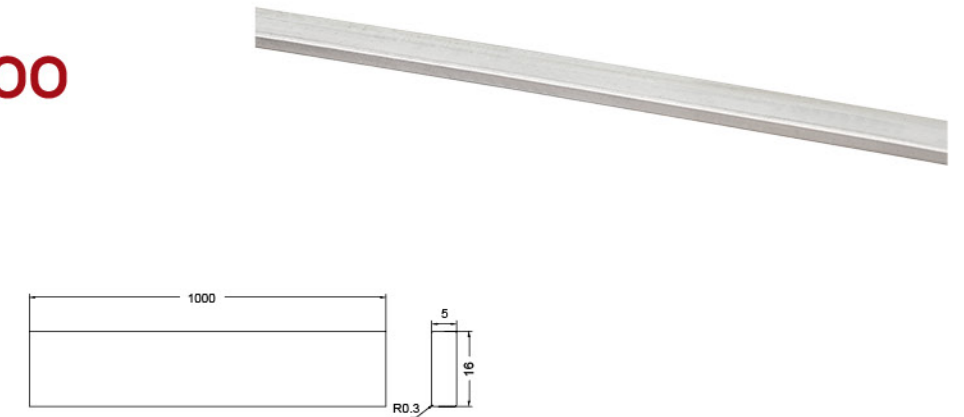
**MODEL**  
**SDFFR-A-1000**

**推拉门窗系统**

- 材质：铁 + 不锈钢
- 表面处理：按客户要求

**Sliding door & window**

- Material: Iron+stainless steel
- Surface treatment: Customize



**MODEL**  
**SDFLS-PKC-LO**

**推拉门窗系统**

- 材质：塑胶 PA
- 表面处理：按客户要求

**Sliding door & window**

- Material: Plastic PA
- Surface treatment: Customize



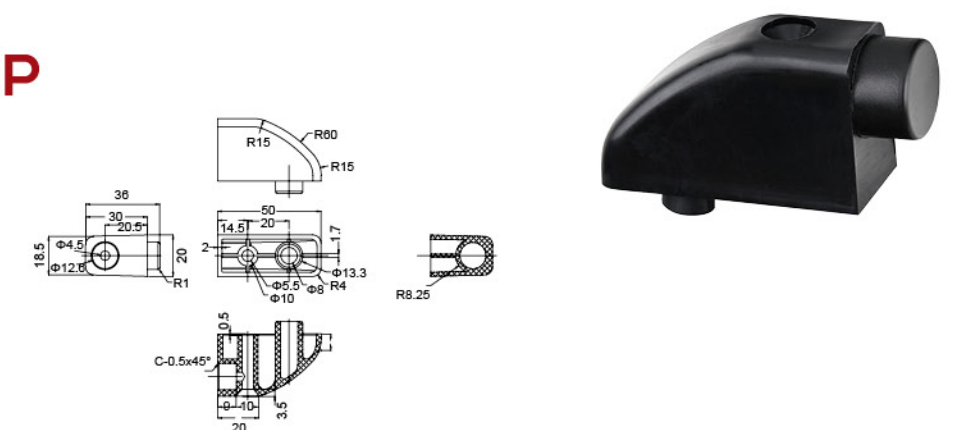
**MODEL**  
**SD95-NB/NP**

**推拉门窗系统**

- 材质：塑胶 PA
- 表面处理：按客户要求

**Sliding door & window**

- Material: Plastic PA
- Surface treatment: Customize



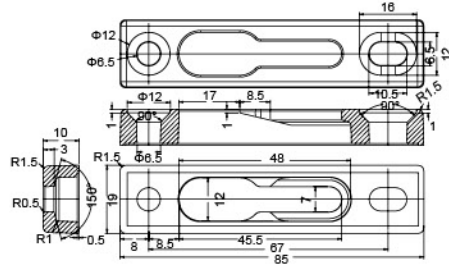
**MODEL**  
**SDZLS-PK**

**推拉门窗系统**

- 材质：粉末钢
- 表面处理：按客户要求

**Sliding door & window**

- Material: Powder steel
- Surface treatment: Customize



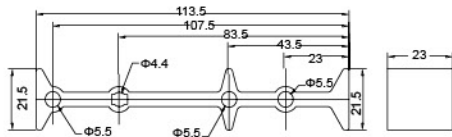
**MODEL**  
**SDZTR-P-H**

**推拉门窗系统**

- 材质：铝粉
- 表面处理：按客户要求

**Sliding door & window**

- Material: Aluminum powder
- Surface treatment: Customize



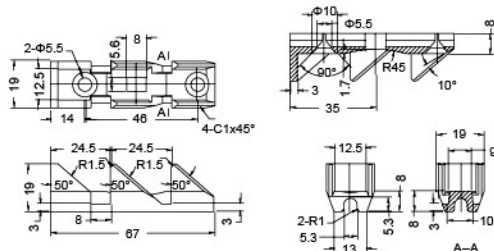
**MODEL**  
**SDZLS-PS-LO**

**推拉门窗系统**

- 材质：不锈钢
- 表面处理：按客户要求

**Sliding door & window**

- Material: Stainless steel
- Surface treatment: Customize



**平开门系列**  
Flat door series



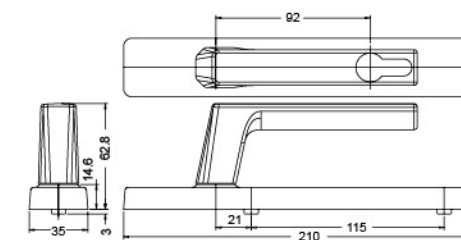
**MODEL**  
**HFRPE**

**平开门**

- 材质：锌合金
- 表面处理：按客户要求

**Swing door**

- Material: Zinc alloy
- Surface treatment: Customize



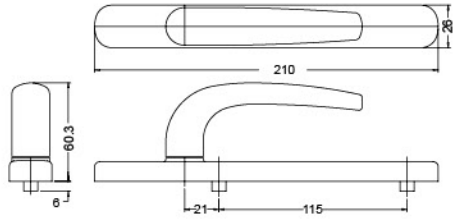
**MODEL**  
**HDPE26-NH**

**平开门**

- 材质：锌合金
- 表面处理：按客户要求

**Swing door**

- Material: Zinc alloy
- Surface treatment: Customize



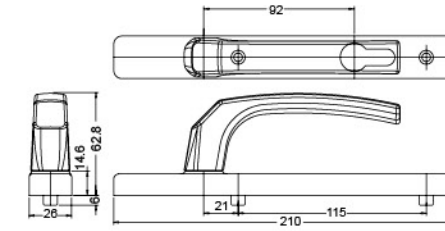
**MODEL**  
**HRTPS26-92**

**平开门**

- 材质：锌合金
- 表面处理：按客户要求

**Swing door**

- Material: Zinc alloy
- Surface treatment: Customize



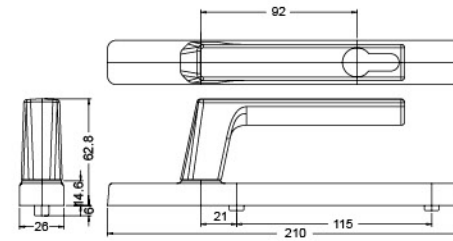
**MODEL**  
**HFRPE26-92**

**平开门**

- 材质：锌合金
- 表面处理：按客户要求

**Swing door**

- Material: Zinc alloy
- Surface treatment: Customize



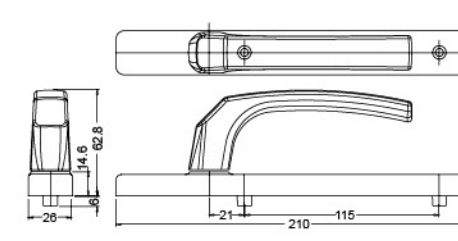
**MODEL**  
**HRTPS26-NH**

**平开门**

- 材质：锌合金
- 表面处理：按客户要求

**Swing door**

- Material: Zinc alloy
- Surface treatment: Customize



**MODEL**  
**HRTPE26-NH**

**平开门**

- 材质：锌合金
- 表面处理：按客户要求

**Swing door**

- Material: Zinc alloy
- Surface treatment: Customize



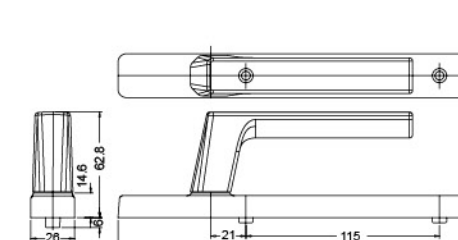
**MODEL**  
**HFRPS26-NH**

**平开门**

- 材质：锌合金
- 表面处理：按客户要求

**Swing door**

- Material: Zinc alloy
- Surface treatment: Customize



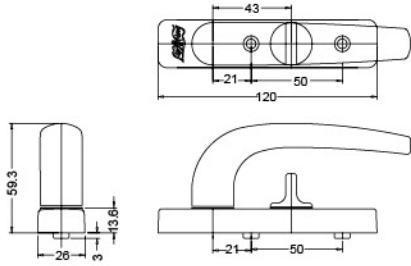
**MODEL**  
**HDLPS26**

**平开门**

- 材质：锌合金
- 表面处理：按客户要求

**Swing door**

- Material: Zinc alloy
- Surface treatment: Customize



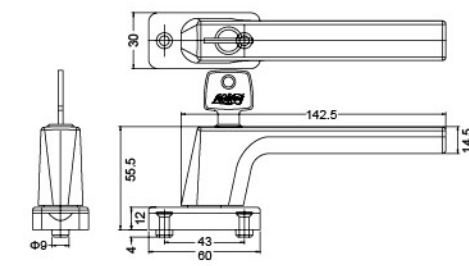
**MODEL**  
**HFRSK**

**平开门**

- 材质：锌合金
- 表面处理：按客户要求

**Swing door**

- Material: Zinc alloy
- Surface treatment: Customize



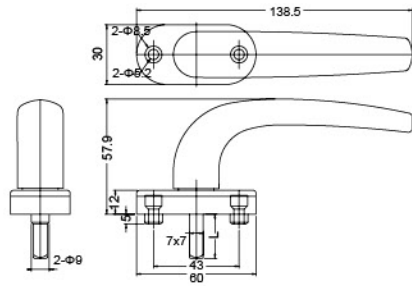
**MODEL**  
**HDE**

**平开门**

- 材质：锌合金
- 表面处理：按客户要求

**Swing door**

- Material: Zinc alloy
- Surface treatment: Customize



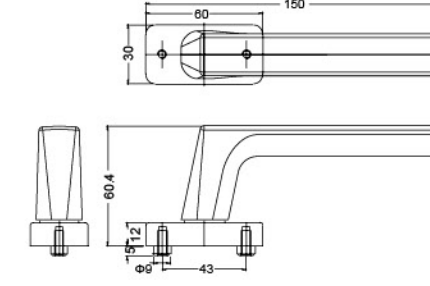
**MODEL**  
**HFRE**

**平开门**

- 材质：锌合金
- 表面处理：按客户要求

**Swing door**

- Material: Zinc alloy
- Surface treatment: Customize



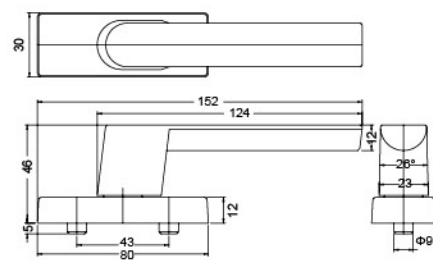
**MODEL**  
**HLDE**

**平开门**

- 材质：锌合金
- 表面处理：按客户要求

**Swing door**

- Material: Zinc alloy
- Surface treatment: Customize



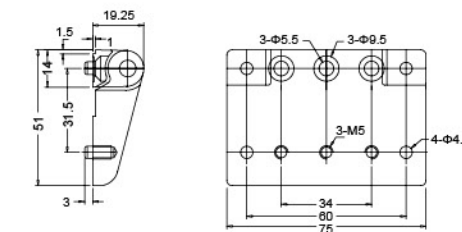
**MODEL**  
**HHF50**

**平开门**

- 材质：锌合金
- 表面处理：按客户要求

**Swing door**

- Material: Zinc alloy
- Surface treatment: Customize







**MODEL**  
**SDADN**

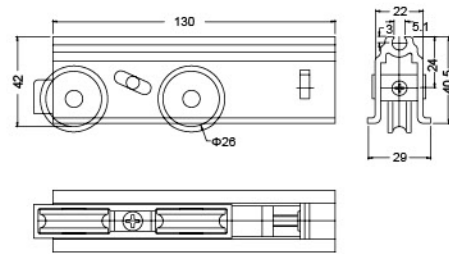


**趟门轱**

- 材质：铝合金
- 表面处理：按客户要求

**Door roller**

- Material: Aluminum Alloy
- Surface treatment: Customize



**MODEL**  
**SD95FN**

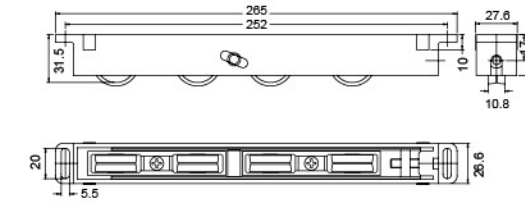


**趟门轱**

- 材质：锌合金
- 表面处理：按客户要求

**Door roller**

- Material: Zinc alloy
- Surface treatment: Customize



**MODEL**  
**SDMDN**

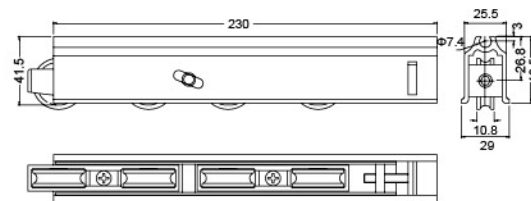


**趟门轱**

- 材质：铝合金
- 表面处理：按客户要求

**Door roller**

- Material: Aluminum Alloy
- Surface treatment: Customize



**MODEL**  
**SDLD-V**

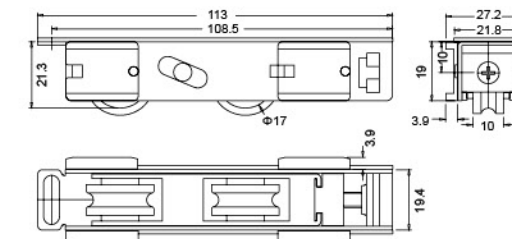


**趟门轱**

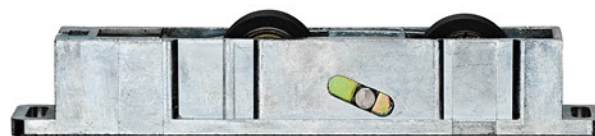
- 材质：铁
- 表面处理：按客户要求

**Door roller**

- Material: Iron
- Surface treatment: Customize



**MODEL**  
**SD95N**

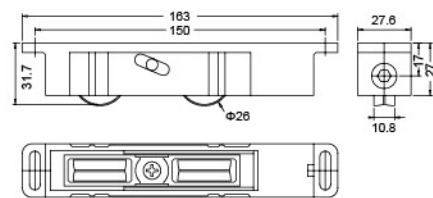


**趟门轱**

- 材质：锌合金
- 表面处理：按客户要求

**Door roller**

- Material: Zinc alloy
- Surface treatment: Customize



**MODEL**  
**SDLS**

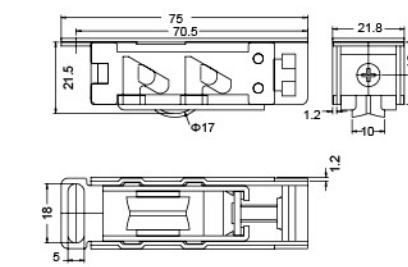


**趟门轱**

- 材质：铁
- 表面处理：按客户要求

**Door roller**

- Material: Iron
- Surface treatment: Customize



**MODEL**  
**SDC85D**

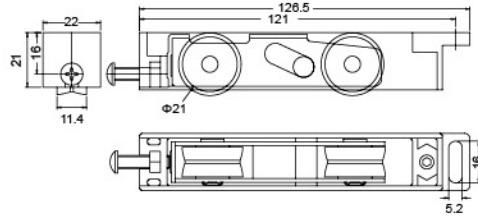


**趟门轱**

- 材质：塑胶 PA
- 表面处理：按客户要求

**Door roller**

- Material: Plastic PA
- Surface treatment: Customize



**MODEL**  
**SDPU**

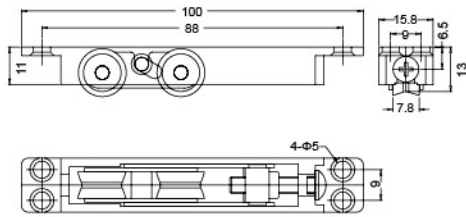


**趟门轱**

- 材质：锌合金
- 表面处理：按客户要求

**Door roller**

- Material: Zinc alloy
- Surface treatment: Customize



**MODEL**  
**SDPA-H16-PB**

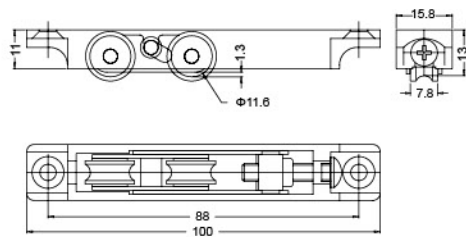


**趟门轱**

- 材质：锌合金
- 表面处理：按客户要求

**Door roller**

- Material: Zinc alloy
- Surface treatment: Customize



**MODEL**  
**SD83D**

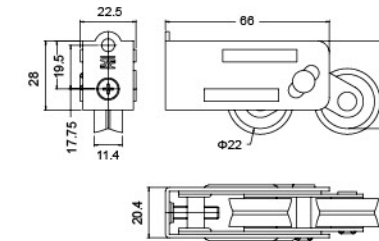


**趟门轱**

- 材质：铁
- 表面处理：按客户要求

**Door roller**

- Material: Iron
- Surface treatment: Customize



**MODEL**  
**DRNW**

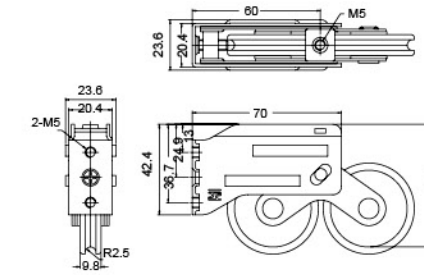


**趟门轱**

- 材质：铁
- 表面处理：按客户要求

**Door roller**

- Material: Iron
- Surface treatment: Customize



**MODEL**  
**DRNN-21.2**

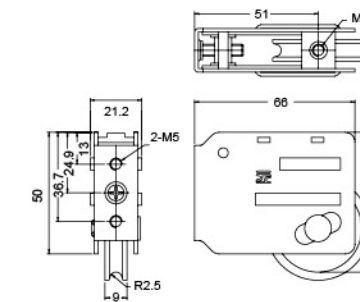


**趟门轱**

- 材质：铁
- 表面处理：按客户要求

**Door roller**

- Material: Iron
- Surface treatment: Customize



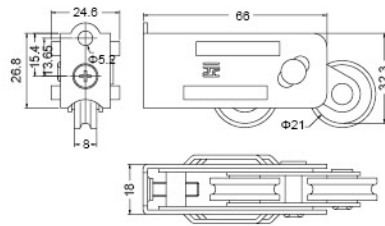
**MODEL**  
**SD76BND**

**趟门轱**

- 材质：铁
- 表面处理：按客户要求

**Door roller**

- Material: Iron
- Surface treatment: Customize



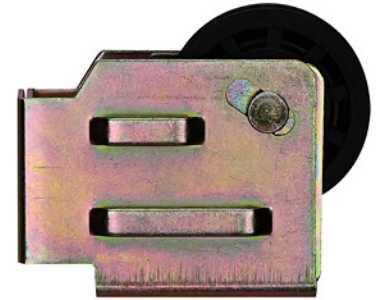
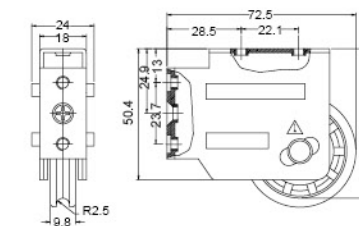
**MODEL**  
**DRN-ZP**

**趟门轱**

- 材质：铁
- 表面处理：按客户要求

**Door roller**

- Material: Iron
- Surface treatment: Customize



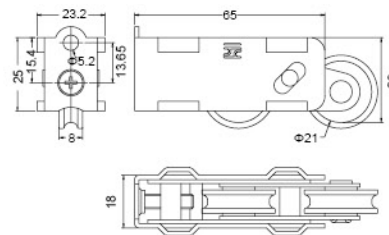
**MODEL**  
**SD2000AD**

**趟门轱**

- 材质：铁
- 表面处理：按客户要求

**Door roller**

- Material: Iron
- Surface treatment: Customize



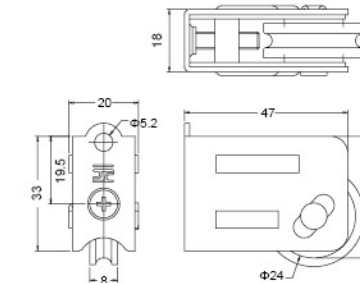
**MODEL**  
**SD868N**

**趟门轱**

- 材质：铁
- 表面处理：按客户要求

**Door roller**

- Material: Iron
- Surface treatment: Customize



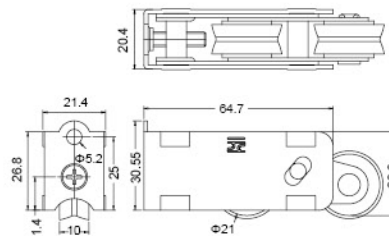
**MODEL**  
**SD76BD**

**趟门轱**

- 材质：铁
- 表面处理：按客户要求

**Door roller**

- Material: Iron
- Surface treatment: Customize



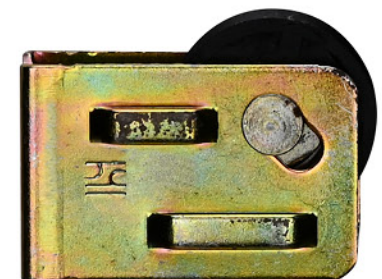
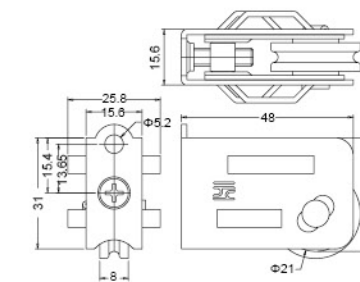
**MODEL**  
**SD2006S**

**趟门轱**

- 材质：铁
- 表面处理：按客户要求

**Door roller**

- Material: Iron
- Surface treatment: Customize



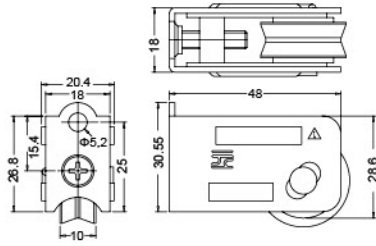
**MODEL**  
**SD76BS**

**趟门轱**

- 材质：铁
- 表面处理：按客户要求

**Door roller**

- Material: Iron
- Surface treatment: Customize



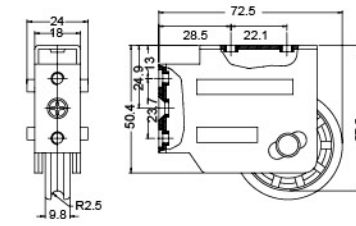
**MODEL**  
**DRB-ZP**

**趟门轱**

- 材质：铁
- 表面处理：按客户要求

**Door roller**

- Material: Iron
- Surface treatment: Customize



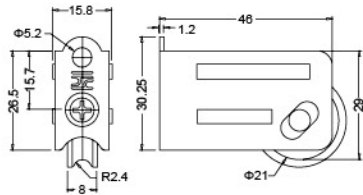
**MODEL**  
**SDN70S**

**趟门轱**

- 材质：铁
- 表面处理：按客户要求

**Door roller**

- Material: Iron
- Surface treatment: Customize



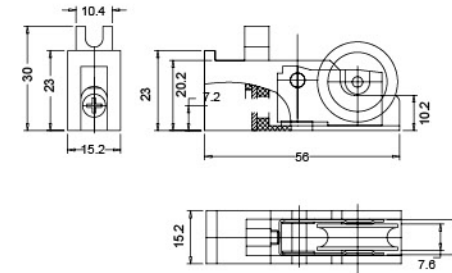
**MODEL**  
**SWRMN**

**趟门轱**

- 材质：塑胶 PA
- 表面处理：按客户要求

**Door roller**

- Material: Plastic PA
- Surface treatment: Customize



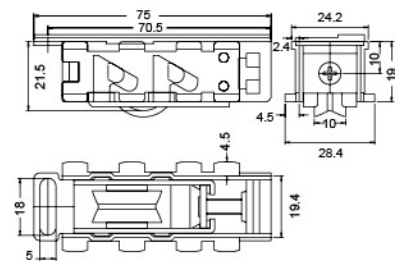
**MODEL**  
**SDRS-V**

**趟门轱**

- 材质：铁
- 表面处理：按客户要求

**Door roller**

- Material: Iron
- Surface treatment: Customize



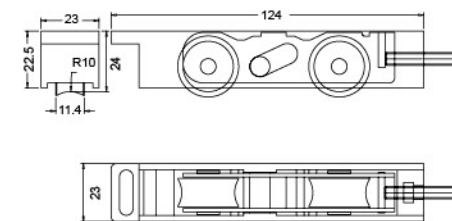
**MODEL**  
**SDNS23**

**趟门轱**

- 材质：塑胶 PA
- 表面处理：按客户要求

**Door roller**

- Material: Plastic PA
- Surface treatment: Customize



**MODEL**  
**SDRAD**

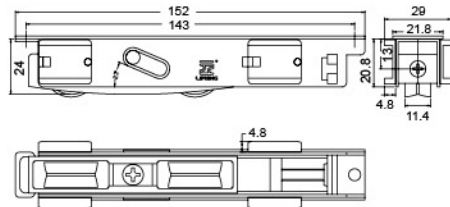


**趟门轱**

- 材质：铁
- 表面处理：按客户要求

**Door roller**

- Material: Iron
- Surface treatment: Customize



**MODEL**  
**SDRZ-SW**

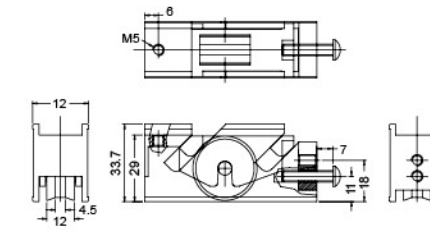


**趟门轱**

- 材质：锌合金
- 表面处理：按客户要求

**Door roller**

- Material: Zinc alloy
- Surface treatment: Customize



**MODEL**  
**SD95S**

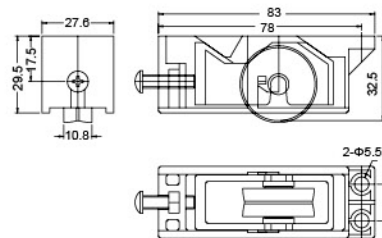


**趟门轱**

- 材质：塑胶 PA
- 表面处理：按客户要求

**Door roller**

- Material: Plastic PA
- Surface treatment: Customize



**MODEL**  
**SDC85S**

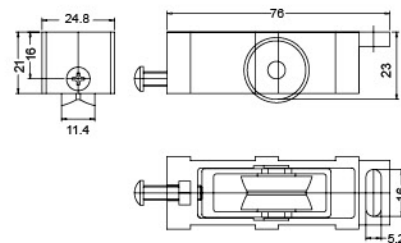


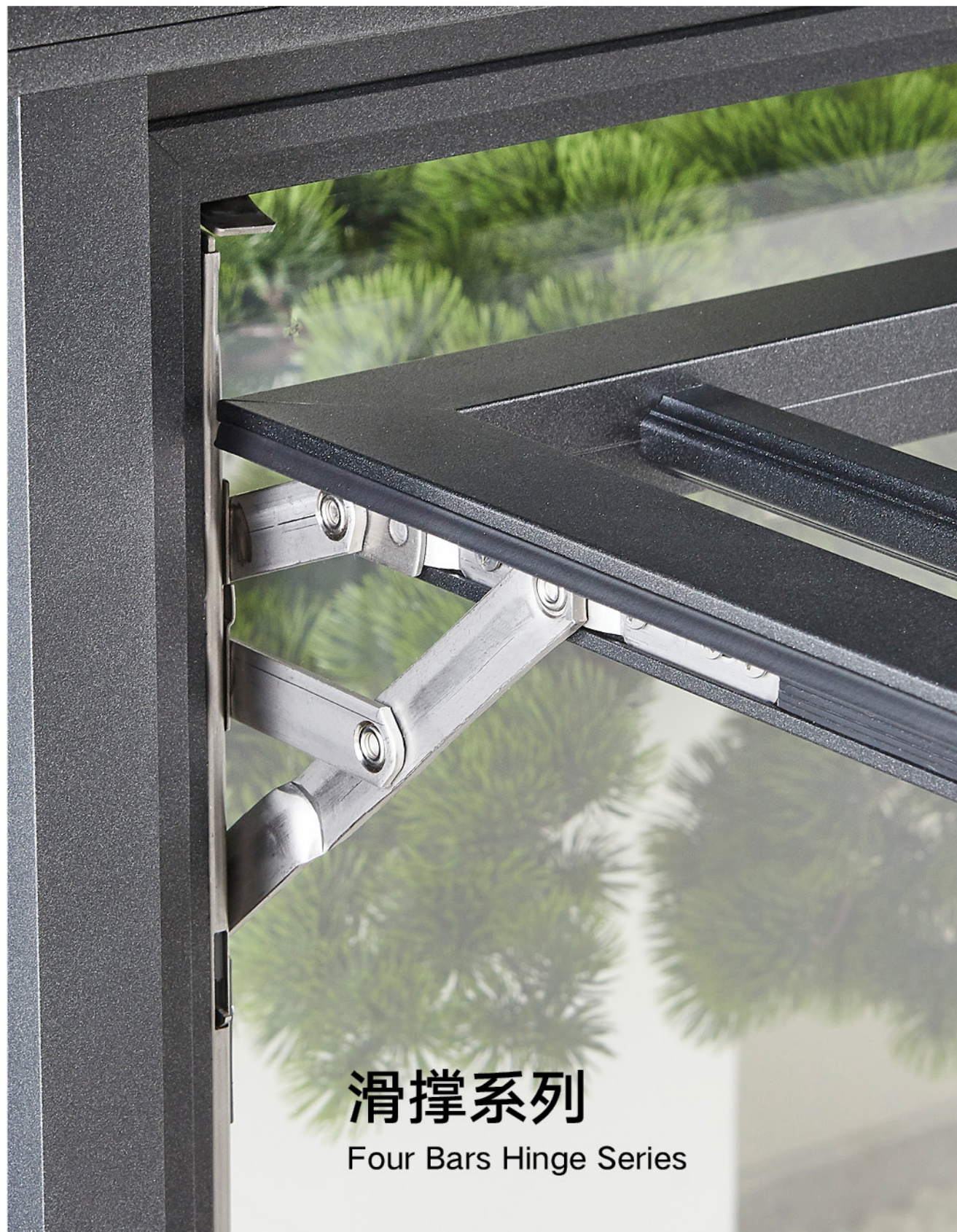
**趟门轱**

- 材质：塑胶 PA
- 表面处理：按客户要求

**Door roller**

- Material: Plastic PA
- Surface treatment: Customize





**滑撑系列**  
Four Bars Hinge Series

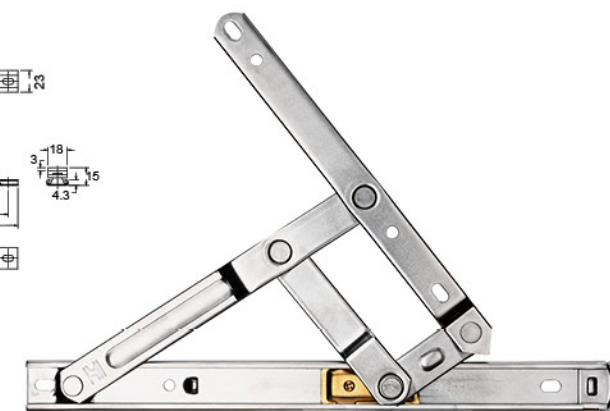
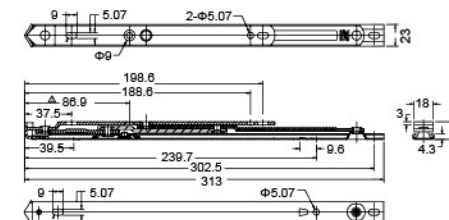
**MODEL**  
**HHD**

**滑撑**

- 材质：304 不锈钢
- 表面处理：按客户要求

**Four Bars Hinge**

- Material: 304 stainless steel
- Surface treatment: Customize



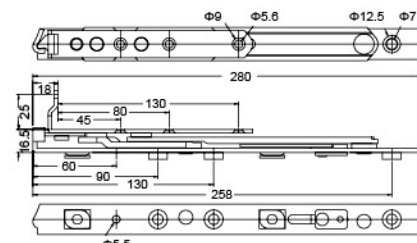
**MODEL**  
**HHU**

**滑撑**

- 材质：304 不锈钢
- 表面处理：按客户要求

**Four Bars Hinge**

- Material: 304 stainless steel
- Surface treatment: Customize



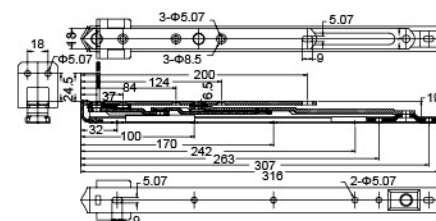
**MODEL**  
**HHUG**

**滑撑**

- 材质：304 不锈钢
- 表面处理：按客户要求

**Four Bars Hinge**

- Material: 304 stainless steel
- Surface treatment: Customize



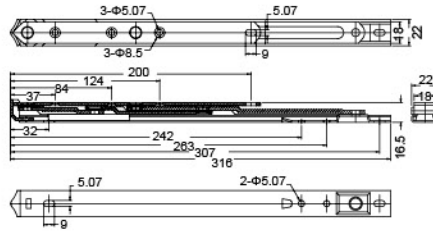
MODEL  
**HHMS**

滑 撑

- 材质：304 不锈钢
- 表面处理：按客户要求

Four Bars Hinge

- Material: 304 stainless steel
- Surface treatment: Customize



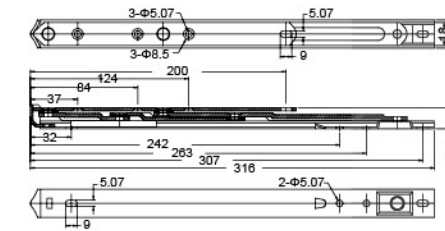
MODEL  
**HHMS-N**

滑 撑

- 材质：304 不锈钢
- 表面处理：按客户要求

Four Bars Hinge

- Material: 304 stainless steel
- Surface treatment: Customize



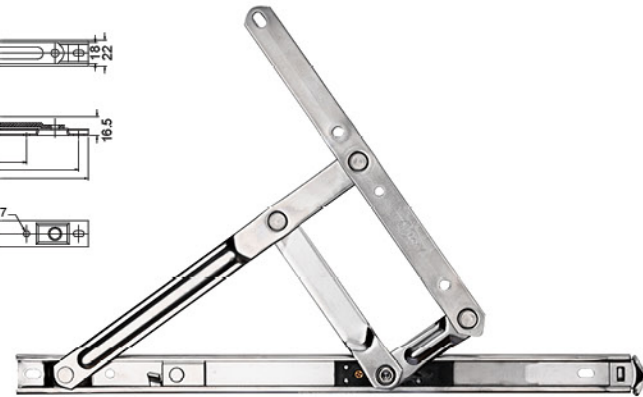
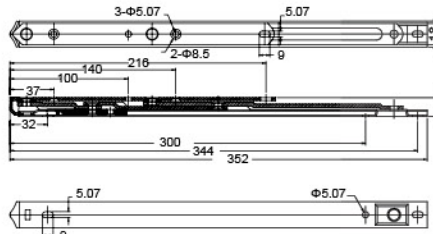
MODEL  
**HHMSMK**

滑 撑

- 材质：304 不锈钢
- 表面处理：按客户要求

Four Bars Hinge

- Material: 304 stainless steel
- Surface treatment: Customize



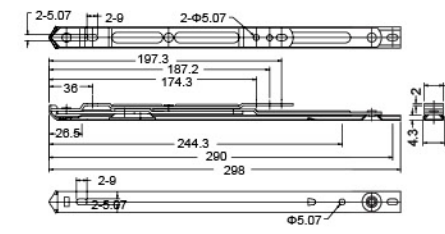
MODEL  
**HST**

滑 撑

- 材质：304 不锈钢
- 表面处理：按客户要求

Four Bars Hinge

- Material: 304 stainless steel
- Surface treatment: Customize



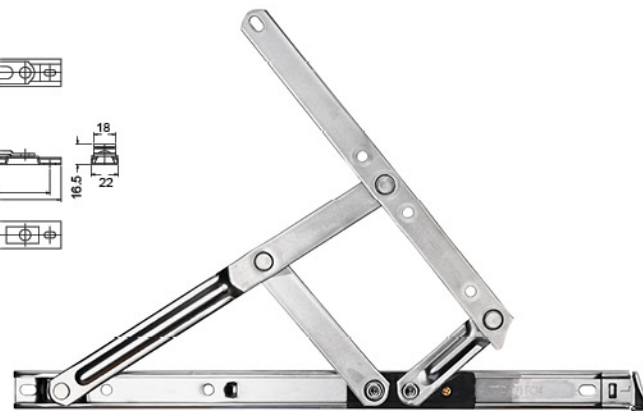
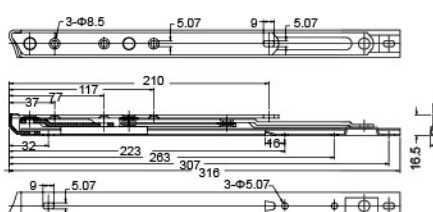
MODEL  
**HHRC**

滑 撑

- 材质：304 不锈钢
- 表面处理：按客户要求

Four Bars Hinge

- Material: 304 stainless steel
- Surface treatment: Customize



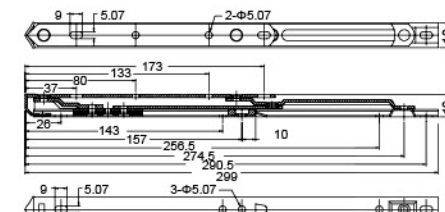
MODEL  
**HHLT**

滑 撑

- 材质：304 不锈钢
- 表面处理：按客户要求

Four Bars Hinge

- Material: 304 stainless steel
- Surface treatment: Customize



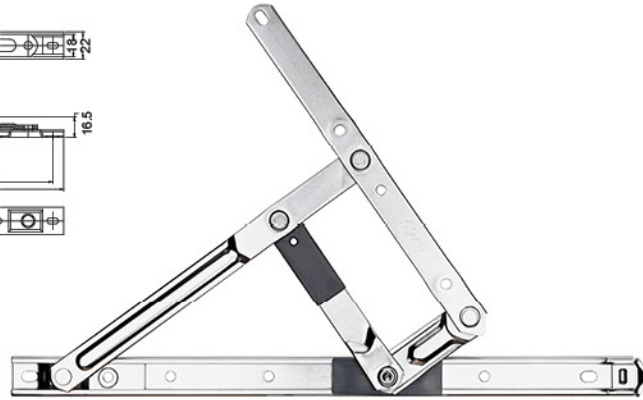
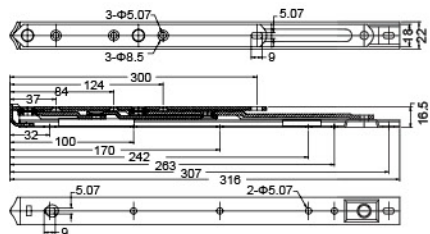
**MODEL**  
**HYLS**

**滑撑**

- 材质：304 不锈钢
- 表面处理：按客户要求

**Four Bars Hinge**

- Material: 304 stainless steel
- Surface treatment: Customize



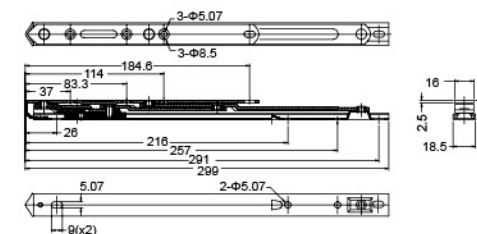
**MODEL**  
**HHS**

**滑撑**

- 材质：304 不锈钢
- 表面处理：按客户要求

**Four Bars Hinge**

- Material: 304 stainless steel
- Surface treatment: Customize



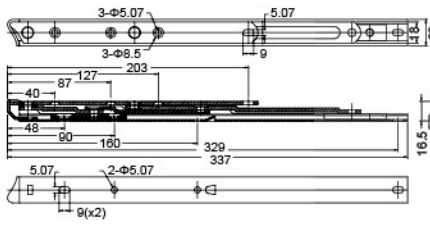
**MODEL**  
**HHTO**

**滑撑**

- 材质：304 不锈钢
- 表面处理：按客户要求

**Four Bars Hinge**

- Material: 304 stainless steel
- Surface treatment: Customize



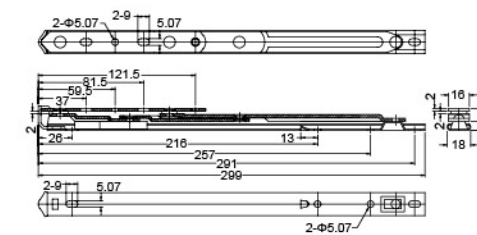
**MODEL**  
**HSF**

**滑撑**

- 材质：304 不锈钢
- 表面处理：按客户要求

**Four Bars Hinge**

- Material: 304 stainless steel
- Surface treatment: Customize



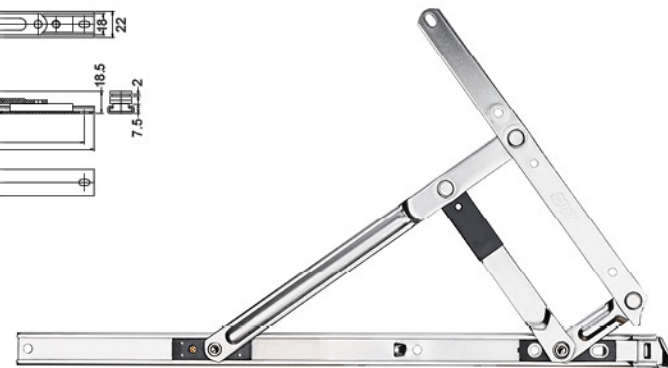
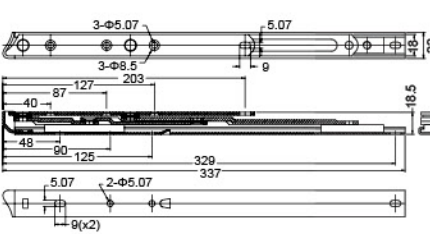
**MODEL**  
**HHMSF**

**滑撑**

- 材质：304 不锈钢
- 表面处理：按客户要求

**Four Bars Hinge**

- Material: 304 stainless steel
- Surface treatment: Customize



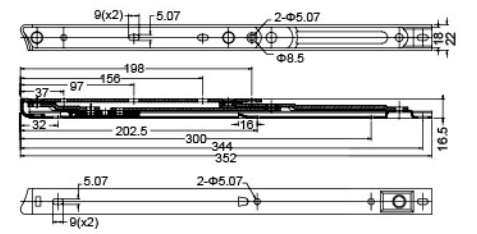
**MODEL**  
**HHMT**

**滑撑**

- 材质：304 不锈钢
- 表面处理：按客户要求

**Four Bars Hinge**

- Material: 304 stainless steel
- Surface treatment: Customize



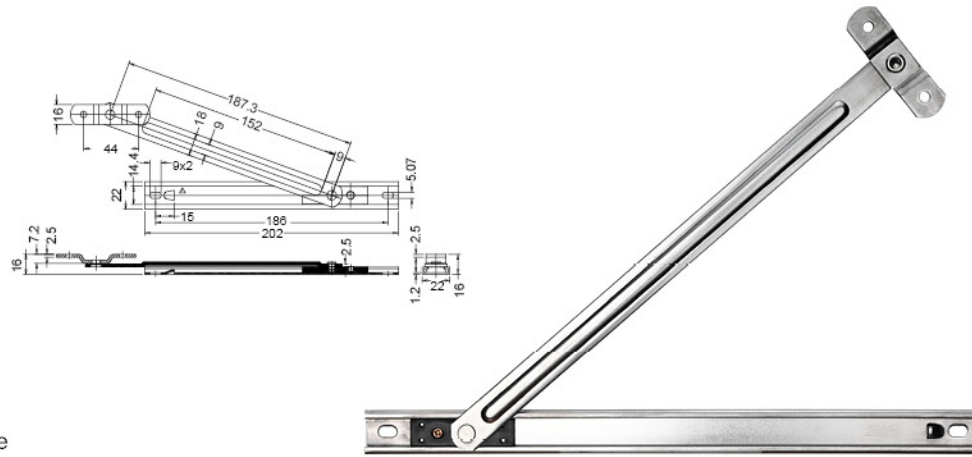
**MODEL**  
**THDS**

**滑 撑**

- 材 质 : 304 不 锈 钢
- 表 面 处 理 : 按 客 户 要 求

**Four Bars Hinge**

- Material: 304 stainless steel
- Surface treatment: Customize



**MODEL**  
**HHPO**

**滑 撑**

- 材 质 : 304 不 锈 钢
- 表 面 处 理 : 按 客 户 要 求

**Four Bars Hinge**

- Material: 304 stainless steel
- Surface treatment: Customize



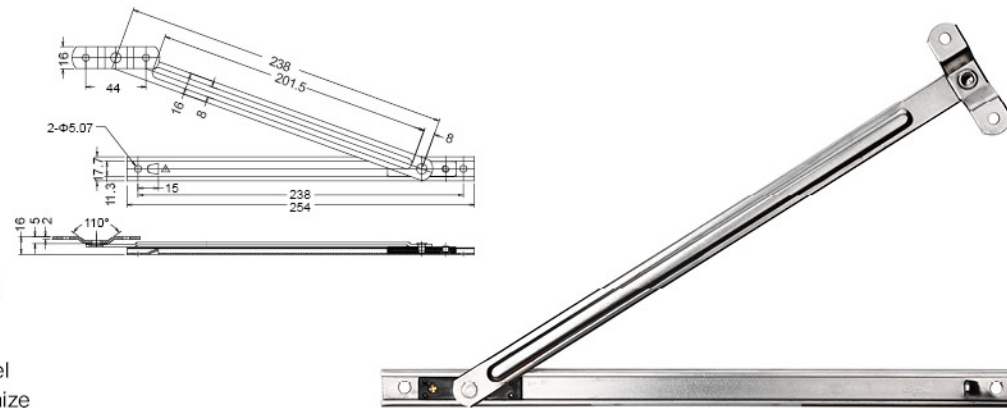
**MODEL**  
**TSTS**

**滑 撑**

- 材 质 : 304 不 锈 钢
- 表 面 处 理 : 按 客 户 要 求

**Four Bars Hinge**

- Material: 304 stainless steel
- Surface treatment: Customize



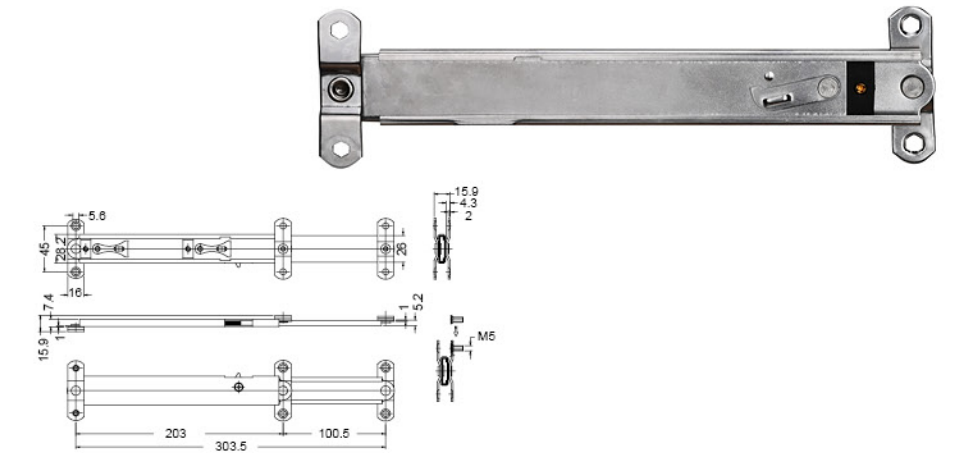
**MODEL**  
**TSA**

**滑 撑**

- 材 质 : 304 不 锈 钢
- 表 面 处 理 : 按 客 户 要 求

**Four Bars Hinge**

- Material: 304 stainless steel
- Surface treatment: Customize



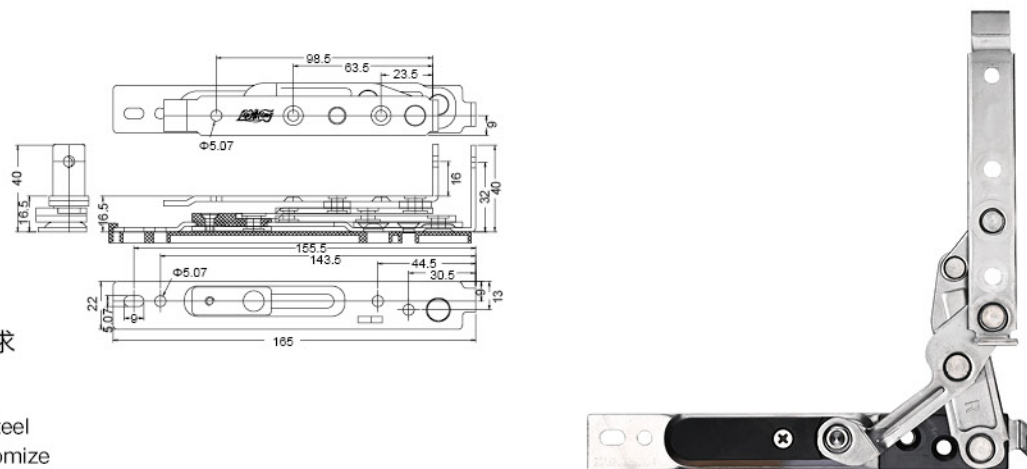
**MODEL**  
**HHB**

**滑 撑**

- 材 质 : 304 不 锈 钢
- 表 面 处 理 : 按 客 户 要 求

**Four Bars Hinge**

- Material: 304 stainless steel
- Surface treatment: Customize



**MODEL**  
**TSSF4.5**

**滑 撑**

- 材 质 : 304 不 锈 钢
- 表 面 处 理 : 按 客 户 要 求

**Four Bars Hinge**

- Material: 304 stainless steel
- Surface treatment: Customize



# 勾锁系列

Hook lock series



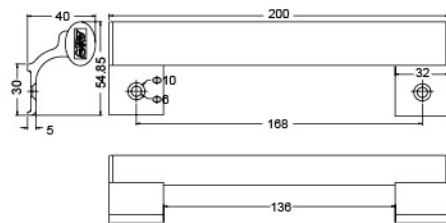
MODEL  
**LNIH**

勾锁

- 材质：锌合金
- 表面处理：按客户要求

Hook lock

- Material: Zinc alloy
- Surface treatment: Customize



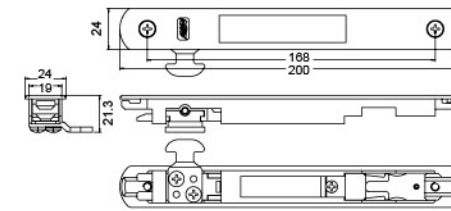
MODEL  
**LNIL**

勾锁

- 材质：锌合金
- 表面处理：按客户要求

Hook lock

- Material: Zinc alloy
- Surface treatment: Customize



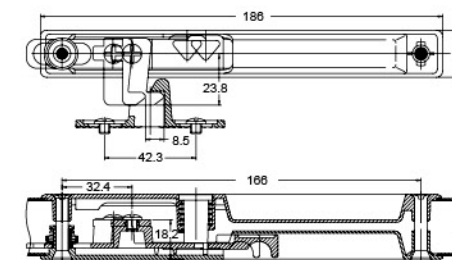
MODEL  
**LSDK**

勾锁

- 材质：锌合金
- 表面处理：按客户要求

Hook lock

- Material: Zinc alloy
- Surface treatment: Customize



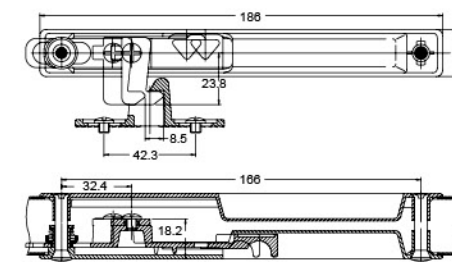
MODEL  
**LSD**

勾锁

- 材质：锌合金
- 表面处理：按客户要求

Hook lock

- Material: Zinc alloy
- Surface treatment: Customize



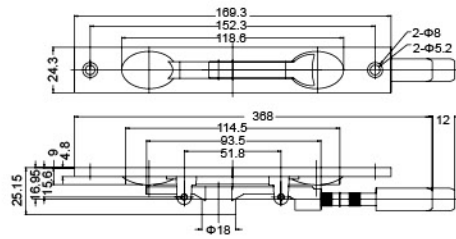
**MODEL**  
**LFBRT**

**勾锁**

- 材质：锌合金
- 表面处理：按客户要求

**Hook lock**

- Material: Zinc alloy
- Surface treatment: Customize



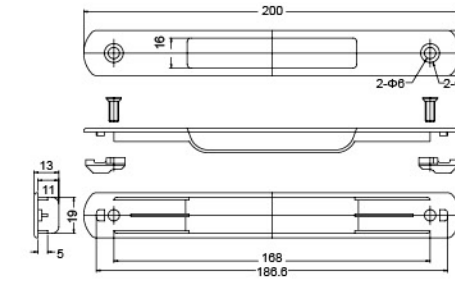
**MODEL**  
**LNIL-PIH**

**勾锁**

- 材质：锌合金
- 表面处理：按客户要求

**Hook lock**

- Material: Zinc alloy
- Surface treatment: Customize



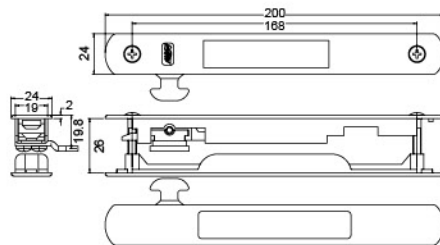
**MODEL**  
**LNILD**

**勾锁**

- 材质：锌合金
- 表面处理：按客户要求

**Hook lock**

- Material: Zinc alloy
- Surface treatment: Customize



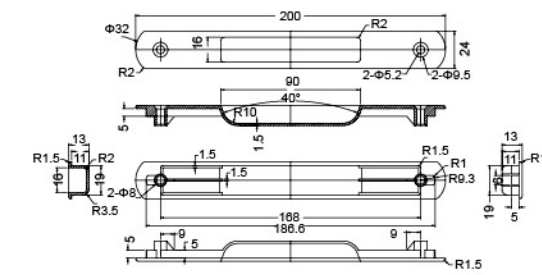
**MODEL**  
**LNEL-PI**

**勾锁**

- 材质：锌合金
- 表面处理：按客户要求

**Hook lock**

- Material: Zinc alloy
- Surface treatment: Customize



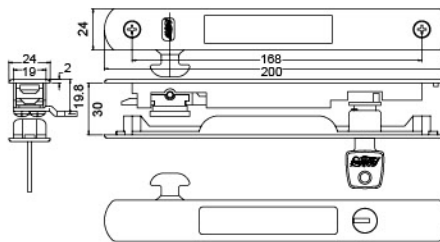
**MODEL**  
**LNILDK**

**勾锁**

- 材质：锌合金
- 表面处理：按客户要求

**Hook lock**

- Material: Zinc alloy
- Surface treatment: Customize



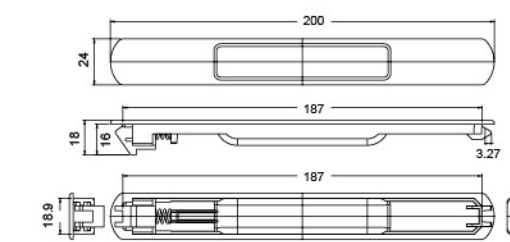
**MODEL**  
**LSNS**

**勾锁**

- 材质：锌合金
- 表面处理：按客户要求

**Hook lock**

- Material: Zinc alloy
- Surface treatment: Customize



**MODEL**  
**HDSH-44-12**

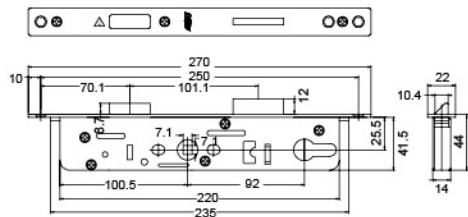


**门锁盒**

- 材质：锌合金
- 表面处理：按客户要求

**Door Lock Box**

- Material: Zinc alloy
- Surface treatment: Customize



**MODEL**  
**HDLC-12**

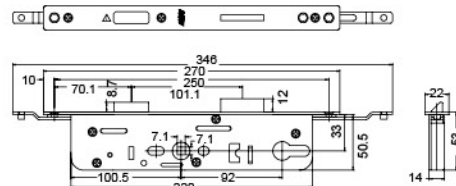


**门锁盒**

- 材质：锌合金
- 表面处理：按客户要求

**Door Lock Box**

- Material: Zinc alloy
- Surface treatment: Customize



**MODEL**  
**HDLC28-7**

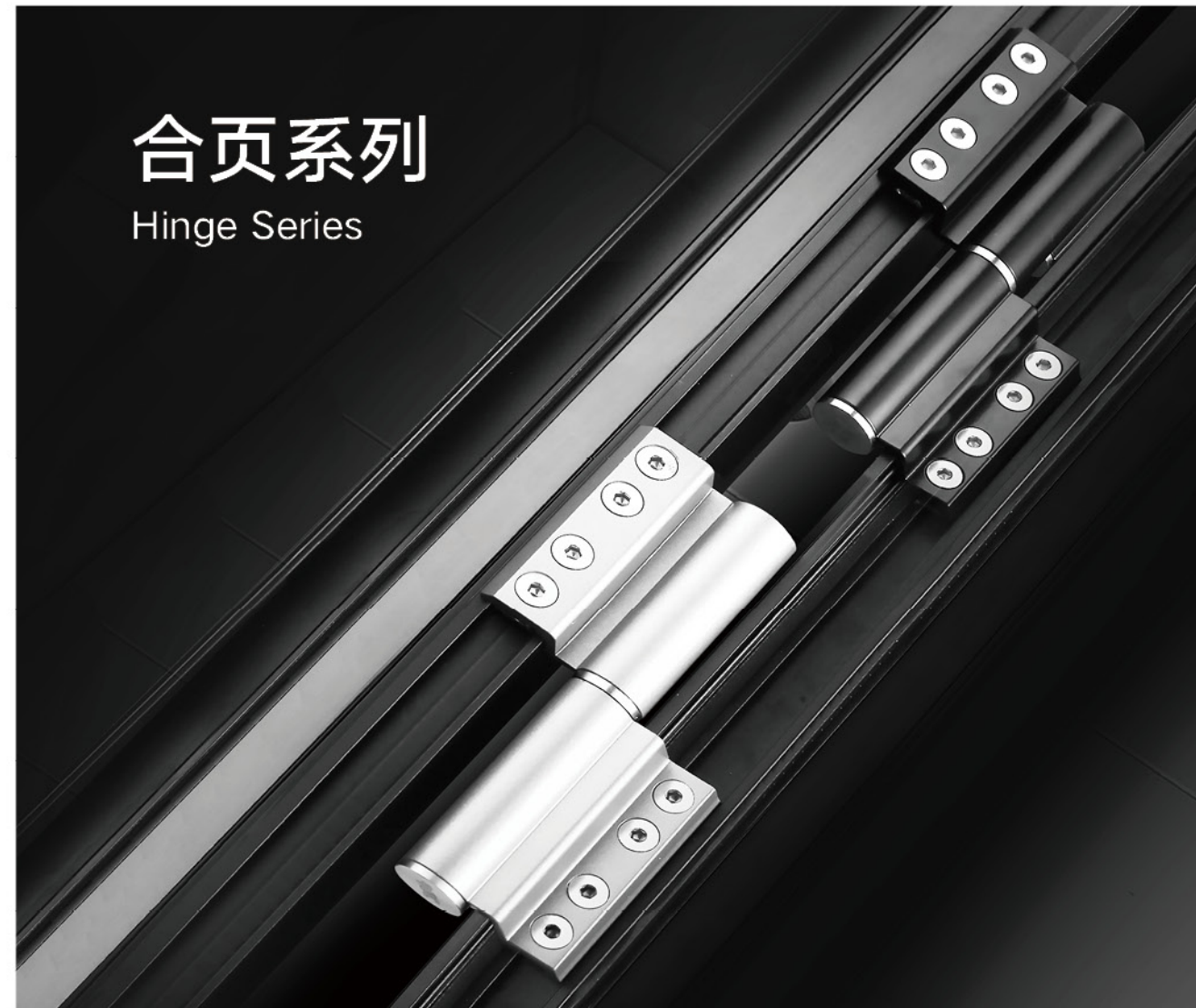
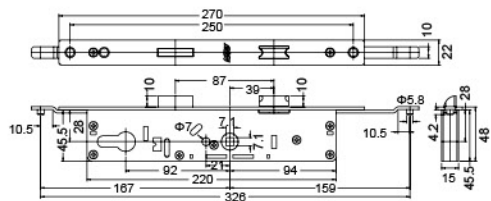


**门锁盒**

- 材质：锌合金
- 表面处理：按客户要求

**Door Lock Box**

- Material: Zinc alloy
- Surface treatment: Customize



**合页系列**  
Hinge Series

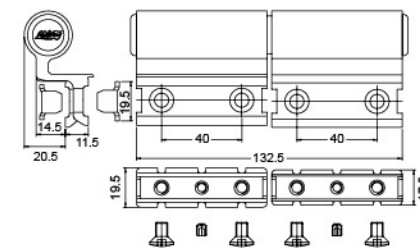
**MODEL**  
**HOOD**

**合页**

- 材质：铝合金型材
- 表面处理：按客户要求

**Hinge**

- Material: Aluminium Alloy Profile
- Surface treatment: Customize



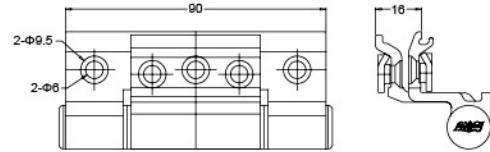
**MODEL**  
**HC90NA**

**合页**

- 材质：铝合金型材
- 表面处理：按客户要求

**Hinge**

- Material: Aluminium Alloy Profile
- Surface treatment: Customize



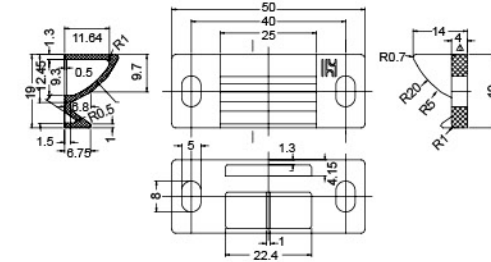
**MODEL**  
**NBSF**

**塑胶锁扣**

- 材质：塑胶 PA
- 表面处理：按客户要求

**Plastic Lock Lock**

- Material: Plastic PA
- Surface treatment: Customize



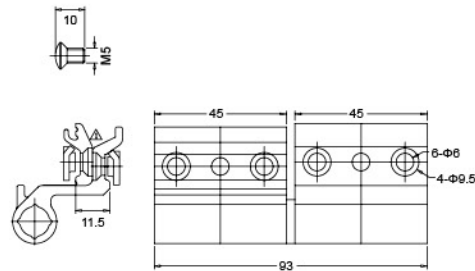
**MODEL**  
**HSHA**

**合页**

- 材质：铝合金型材
- 表面处理：按客户要求

**Hinge**

- Material: Aluminium Alloy Profile
- Surface treatment: Customize



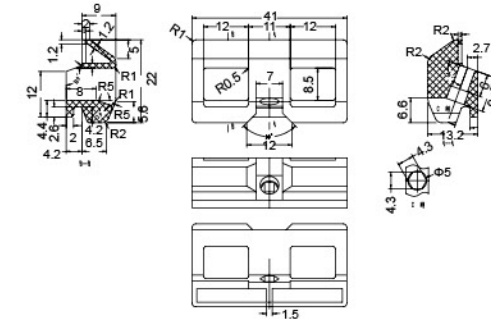
**MODEL**  
**MPTT-NH**

**塑胶锁扣**

- 材质：塑胶 PA
- 表面处理：按客户要求

**Plastic Lock Lock**

- Material: Plastic PA
- Surface treatment: Customize



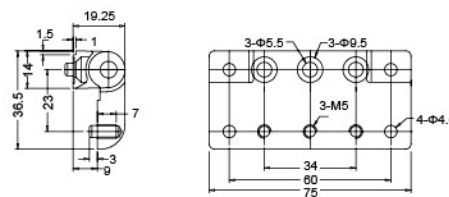
**MODEL**  
**HSH50**

**合页**

- 材质：铝合金型材
- 表面处理：按客户要求

**Hinge**

- Material: Aluminium Alloy Profile
- Surface treatment: Customize



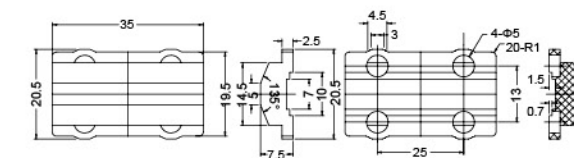
**MODEL**  
**NWSR**

**塑胶锁扣**

- 材质：塑胶 PA
- 表面处理：按客户要求

**Plastic Lock Lock**

- Material: Plastic PA
- Surface treatment: Customize



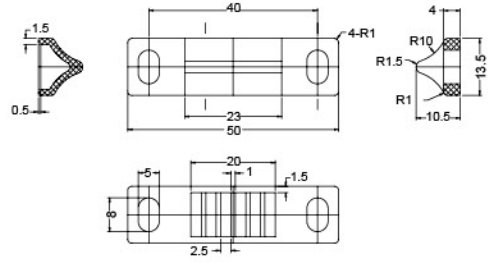
**MODEL**  
**NBSS-LY**

**塑胶锁扣**

- 材质：塑胶 PA
- 表面处理：按客户要求

**Plastic Lock Lock**

- Material: Plastic PA
- Surface treatment: Customize



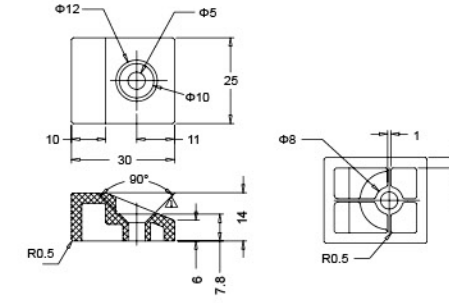
**MODEL**  
**N8262**

**塑胶锁扣**

- 材质：塑胶 PA
- 表面处理：按客户要求

**Plastic Lock Lock**

- Material: Plastic PA
- Surface treatment: Customize



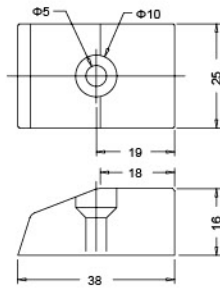
**MODEL**  
**ACSBW**

**塑胶锁扣**

- 材质：塑胶 PA
- 表面处理：按客户要求

**Plastic Lock Lock**

- Material: Plastic PA
- Surface treatment: Customize



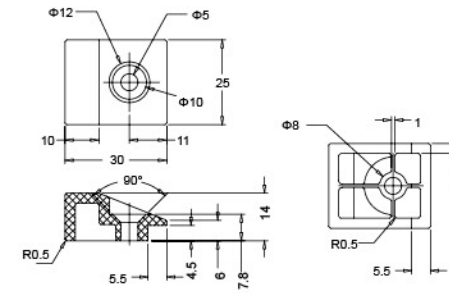
**MODEL**  
**N8262-LY**

**塑胶锁扣**

- 材质：塑胶 PA
- 表面处理：按客户要求

**Plastic Lock Lock**

- Material: Plastic PA
- Surface treatment: Customize



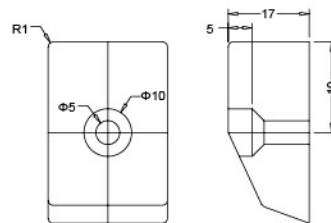
**MODEL**  
**ACSBW-17**

**塑胶锁扣**

- 材质：塑胶 PA
- 表面处理：按客户要求

**Plastic Lock Lock**

- Material: Plastic PA
- Surface treatment: Customize



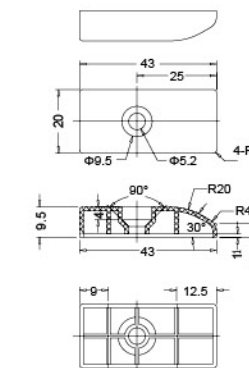
**MODEL**  
**N50-NA**

**塑胶锁扣**

- 材质：塑胶 PA
- 表面处理：按客户要求

**Plastic Lock Lock**

- Material: Plastic PA
- Surface treatment: Customize



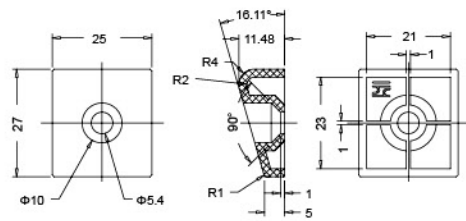
**MODEL**  
**YKKHK-4005**

**塑胶锁扣**

- 材质：塑胶 PA
- 表面处理：按客户要求

**Plastic Lock Lock**

- Material: Plastic PA
- Surface treatment: Customize



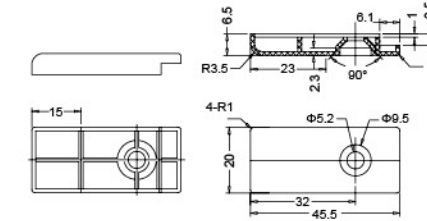
**MODEL**  
**N50-NB**

**塑胶锁扣**

- 材质：塑胶 PA
- 表面处理：按客户要求

**Plastic Lock Lock**

- Material: Plastic PA
- Surface treatment: Customize



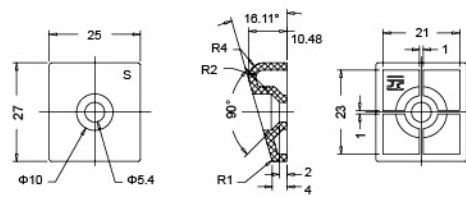
**MODEL**  
**YKKHK-4006**

**塑胶锁扣**

- 材质：塑胶 PA
- 表面处理：按客户要求

**Plastic Lock Lock**

- Material: Plastic PA
- Surface treatment: Customize



**MODEL**  
**YKKHK-5005**

**塑胶锁扣**

- 材质：塑胶 PA
- 表面处理：按客户要求

**Plastic Lock Lock**

- Material: Plastic PA
- Surface treatment: Customize

